

ACCEPTS ϕ 6.0mm [ϕ 0.24in] POSTS

ϕ 16.5mm
[0.65in]

ϕ 17.0mm
[0.67in]

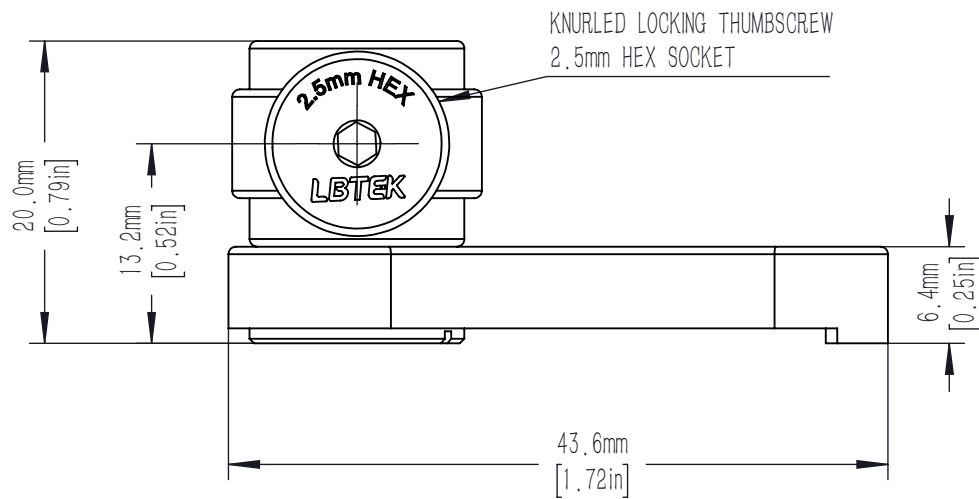
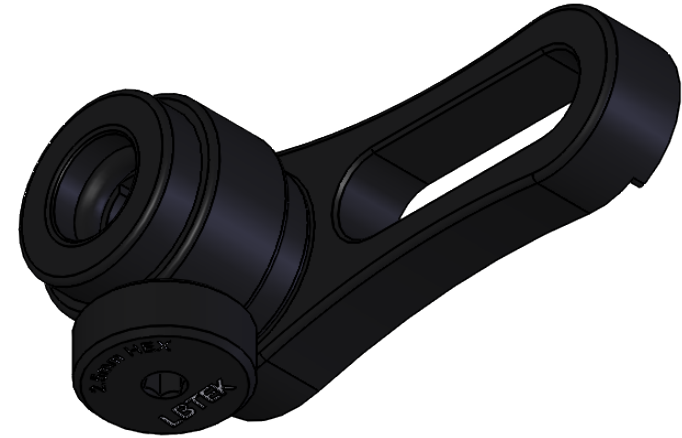
12.7mm
[0.50in]

35.1mm
[1.38in]

16.0mm
[0.63in]

MOUNTING SLOT FOR
M6 CAP SCREWS

ϕ 13.2mm
[0.52in]



DRAWING PROJECTION			LBTEK			
	NAME	DATE				
DRAWN	ZLI	DEC./12th/23	ϕ 6 mm POST HOLDER			
APPROVAL	HDE	DEC./12th/23	MATERIAL	WEIGHT	SCALE	REV
FOR INFORMATION ONLY NOT FOR MANUFACTURING PURPOSES			N/A	0.016 Kg	2:1	B