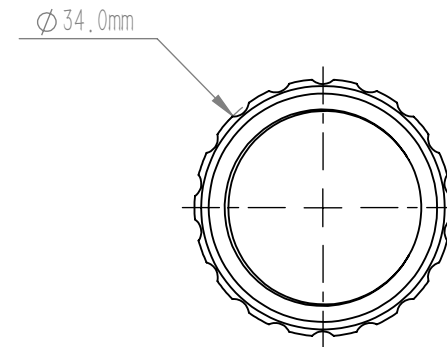
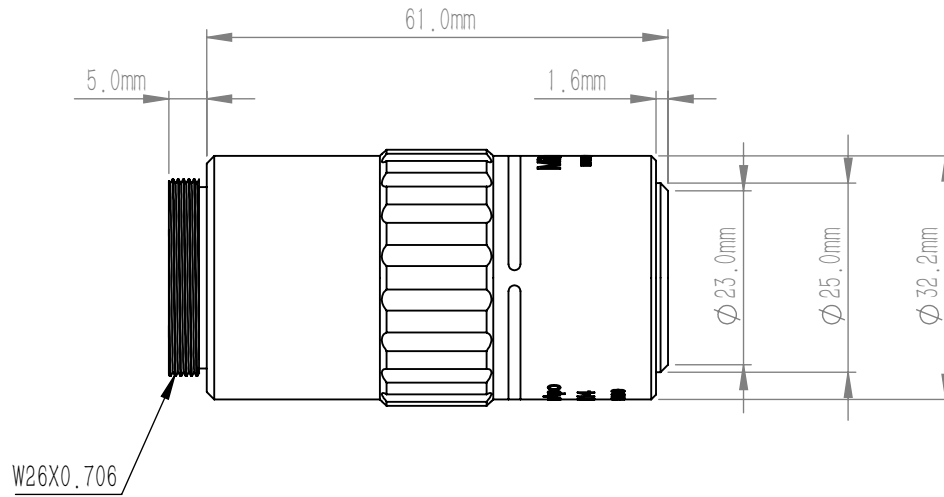
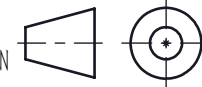


PARFOCAL DISTANCE 95 mm

WORKING DISTANCE 34 mm



DRAWING PROJECTION



**LBTEK**  
www.lbtek.com

	NAME	DATE	MPLNAP05XV			
DRAWN	JLIU	2021/5/26	PLAN APOCHROMATIC OBJECTIVE			
APPROVAL	YFAN	2021/5/26	MATERIAL	WEIGHT	SCALE	REV
FOR INFORMATION ONLY NOT FOR MANUFACTURING PURPOSES			N/A	52.564g	1:1	AE