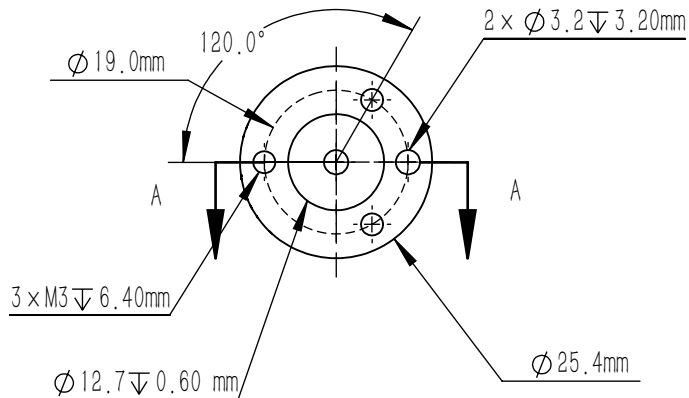


NOTES

1. MATERIAL: 6061-T6 AL
2. PARABOLIC FOCAL LENGTH: 76.3 mm ± 1%
3. REFLECTION FOCAL LENGTH: 152.4 mm ± 1%
4. OFF-AXIS ANGLE: 90°
5. CLEAR APERTURE: >90%
6. REFLECTED WAVEFRONT DIFFERENCE: $< \lambda / 4 @ 633 \text{ nm}$
7. SURFACE QUALITY (PARABOLOID): 40/20(S/D)
8. SURFACE ROUGHNESS (PARABOLOID): 10 nm
9. COATING (PARABOLOID): WITH PROTECTED GOLD COATING
Ravg > 96% @ 800 nm - 20 μm
10. OPTICAL FINISH (S1): METAL DEPOSITION DIAMOND TURNING ALUMINUM SURFACE
11. SURFACE TREATMENT (S2, S3): BLACK ANODIZED
12. CHAMFER: $\leq 0.8 \text{ mm}, 45^\circ$



DRAWING PROJECTION			LBTEK			
NAME	DATE					
			MPM10152-90-AU			
DRAWN	BSHU	Aug./12th/24	OFF-AXIS PARABOLIC MIRROR $\phi 25.4 \text{ mm } F=152.4 \text{ mm, AR COATING, AU}$			
APPROVAL	WCHENG	Aug./12th/24	MATERIAL	WEIGHT	SCALE	REV
FOR INFORMATION ONLY NOT FOR MANUFACTURING PURPOSES			AL	24.9 g	1:1	C