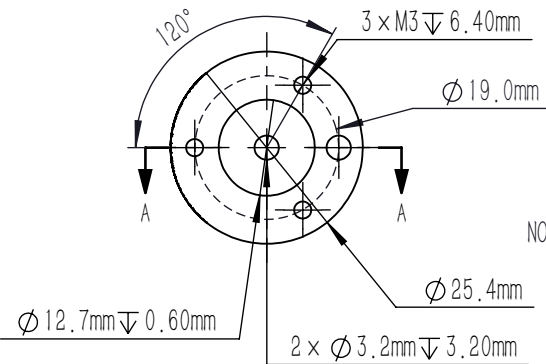
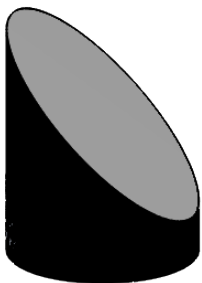


SECTION A-A



NOTES

1. MATERIAL: 6061-T6 AL
2. PARABOLIC FOCAL LENGTH: 101.60 mm ± 1%
3. REFLECTION FOCAL LENGTH: 203.20 mm ± 1%
4. OFF-AXIS ANGLE: 90°
5. CLEAR APERTURE: > 90%
6. REFLECTED WAVEFRONT DIFFERENCE:  $< \lambda / 4 @ 633 \text{ nm}$
7. SURFACE QUALITY (PARABOLOID): 40/20 (S/D)
8. SURFACE ROUGHNESS (PARABOLOID): 10 nm
9. COATING (PARABOLOID): WITH PROTECTED UV ENHANCED ALUMINUM COATING  
Ravg > 90% @ 250 nm - 450 nm
10. OPTICAL FINISH (S1): METAL DEPOSITION DIAMOND TURNING ALUMINUM SURFACE
11. SURFACE TREATMENT (S2, S3): BLACK ANODIZED
12. CHAMFER:  $\leq 0.8 \text{ mm}, 45^\circ$



DRAWING PROJECTION			<b>LBTEK</b>			
	NAME	DATE				
DRAWN	BSHU	Aug./12th/24	OFF-AXIS PARABOLIC MIRROR Ø 25.4 mm F=203.2 mm, AR COATING: UVAL			
APPROVAL	WCHENG	Aug./12th/24	MATERIAL	WEIGHT	SCALE	REV
FOR INFORMATION ONLY NOT FOR MANUFACTURING PURPOSES			AL	25.2 g	1:1	C