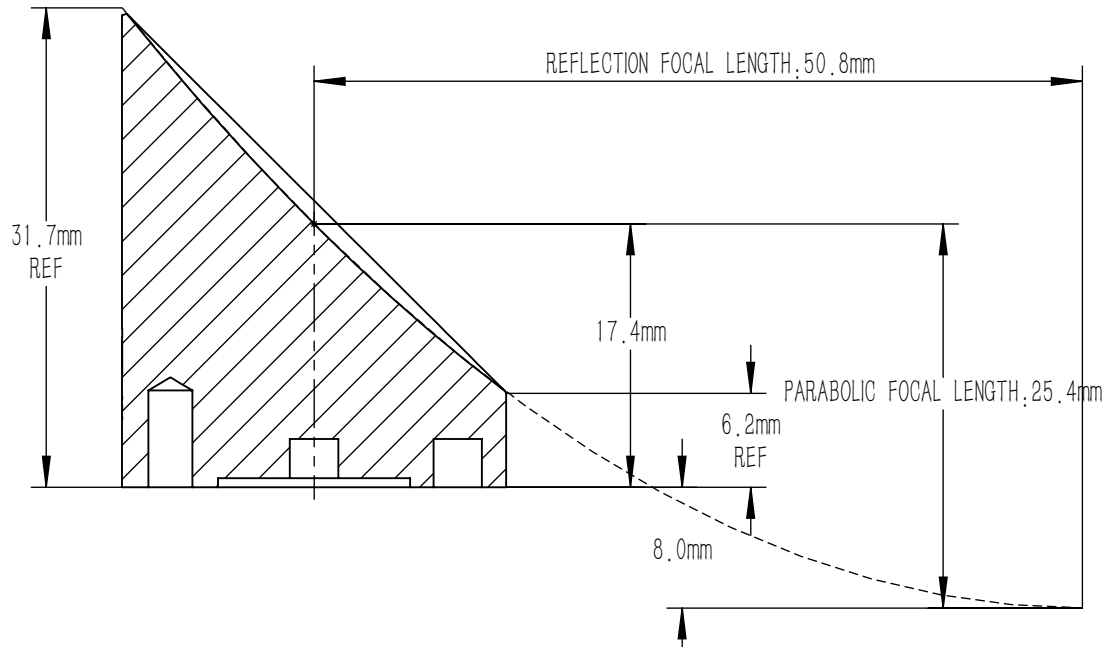
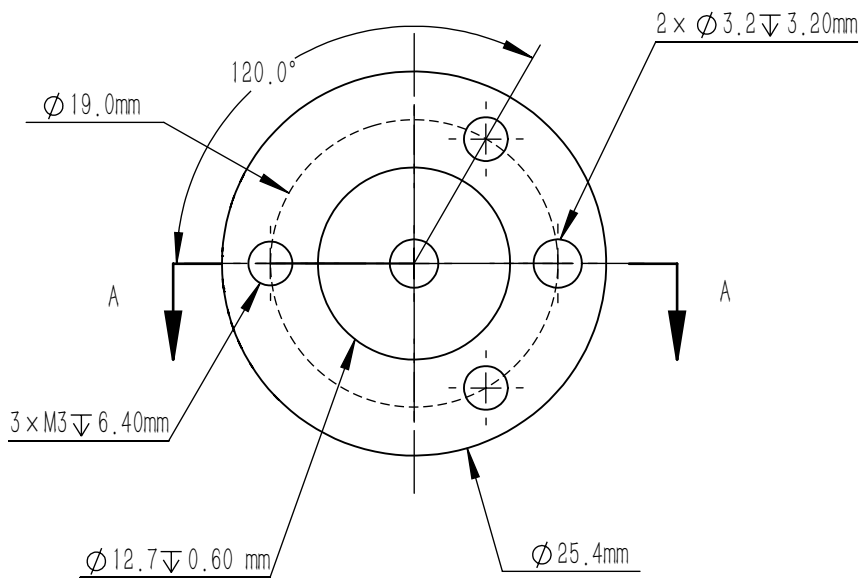


A-A



NOTES

1. MATERIAL: 6061-T6 AL
2. PARABOLIC FOCAL LENGTH: 25.4 mm ± 1%
3. REFLECTION FOCAL LENGTH: 50.8 mm ± 1%
4. OFF-AXIS ANGLE: 90°
5. CLEAR APERTURE: > 90%
6. REFLECTED WAVEFRONT DIFFERENCE: $< \lambda/4 @ 633 \text{ nm}$
7. SURFACE QUALITY (PARABOLOID): 40/20(S/D)
8. SURFACE ROUGHNESS (PARABOLOID): 10 nm
9. COATING (PARABOLOID): WITH PROTECTED SILVER COATING
 $R_{avg} > 97\% @ 450 \text{ nm} - 2 \mu\text{m}$; $R_{avg} > 96\% @ 2 - 20 \mu\text{m}$
10. OPTICAL FINISH (S1): METAL DEPOSITION DIAMOND TURNING ALUMINUM SURFACE
11. SURFACE TREATMENT (S2, S3): BLACK ANODIZED
12. CHAMFER: $\leq 0.8 \text{ mm}, 45^\circ$



DRAWING PROJECTION			LBTEK			
NAME	DATE					
			MPM1050-90-AG			
DRAWN	BSHU	Aug./12th/24	OFF-AXIS PARABOLIC MIRROR $\phi 25.4 \text{ mm F}=50.8 \text{ mm, AR COATING, AG}$			
APPROVAL	WCHENG	Aug./12th/24	MATERIAL	WEIGHT	SCALE	REV
FOR INFORMATION ONLY NOT FOR MANUFACTURING PURPOSES			AL	24.2 g	2:1	C