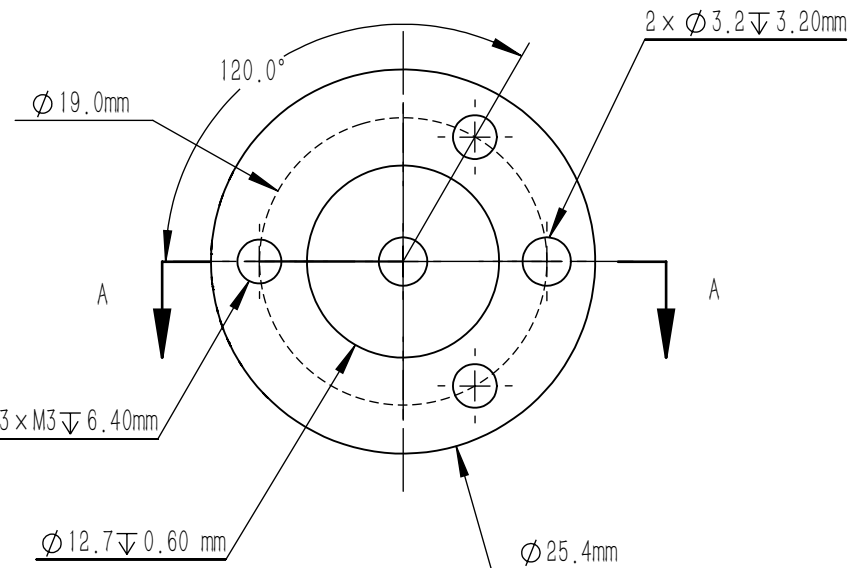
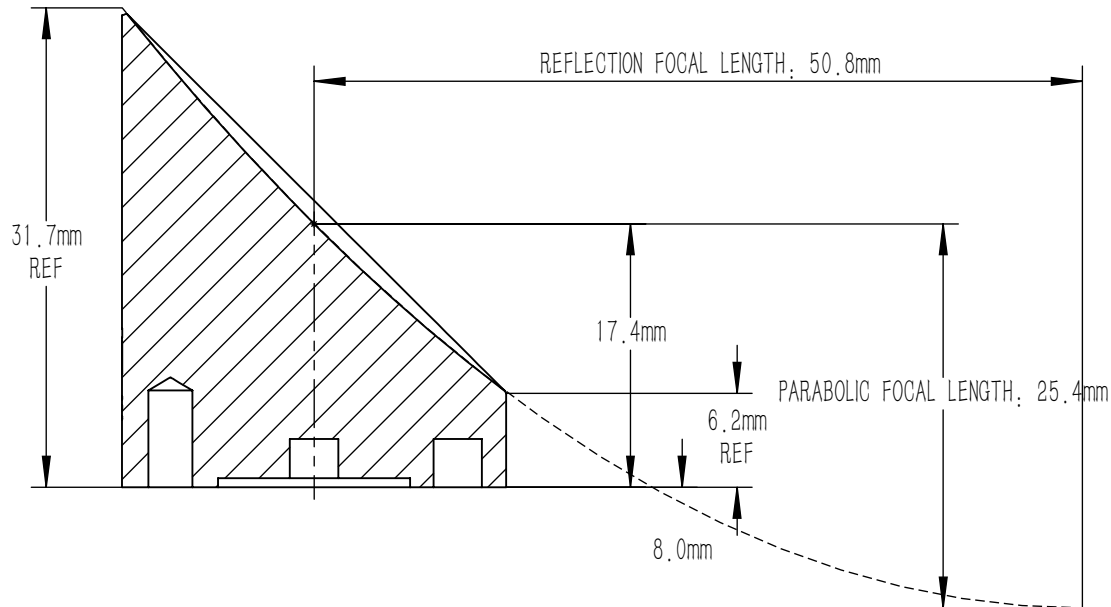
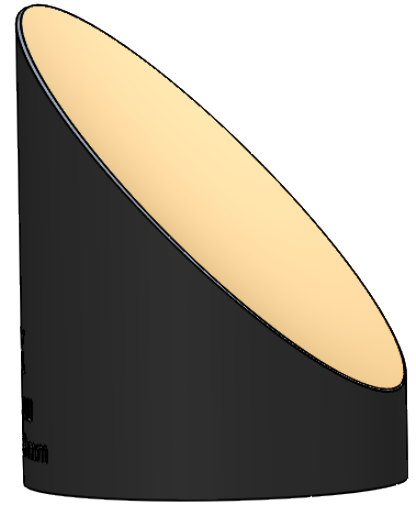


A-A



NOTES

1. MATERIAL: 6061-T6 AL
2. PARABOLIC FOCAL LENGTH: 25.4 mm ± 1%
3. REFLECTION FOCAL LENGTH: 50.8 mm ± 1%
4. OFF-AXIS ANGLE: 90°
5. CLEAR APERTURE: > 90%
6. REFLECTED WAVEFRONT DIFFERENCE: < $\lambda/4$ @ 633 nm
7. SURFACE QUALITY (PARABOLOID): 40/20 (S/D)
8. SURFACE ROUGHNESS (PARABOLOID): 10 nm
9. COATING (PARABOLOID): WITH PROTECTED GOLD COATING
 $R_{avg} > 96\%$ @ 800 nm - 20 μ m
10. OPTICAL FINISH (S1): METAL DEPOSITION DIAMOND TURNING ALUMINUM SURFACE
11. SURFACE TREATMENT (S2, S3): BLACK ANODIZED
12. CHAMFER: ≤ 0.8 mm, 45°

DRAWING PROJECTION			LBTEK			
NAME	DATE	MPM1050-90-AU				
DRAWN	BSHU	Aug./12th/24	OFF-AXIS PARABOLIC MIRROR Φ 25.4 mm F=50.8 mm, AR COATING, AU			
APPROVAL	WCHENG	Aug./12th/24	MATERIAL	WEIGHT	SCALE	REV
FOR INFORMATION ONLY NOT FOR MANUFACTURING PURPOSES			AL	24.2 g	2:1	C