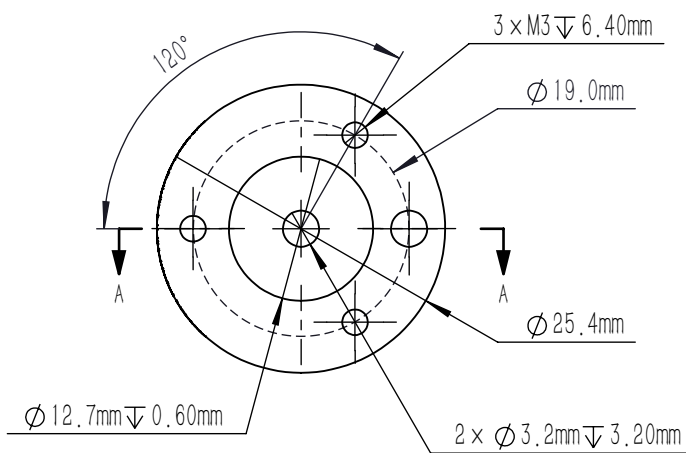


NOTES

1. MATERIAL: 6061-T6 AL
2. PARABOLIC FOCAL LENGTH: 38.10 mm±1%
3. REFLECTION FOCAL LENGTH: 76.20 mm±1%
4. OFF-AXIS ANGLE: 90°
5. CLEAR APERTURE: >90%
6. REFLECTED WAVEFRONT DIFFERENCE: $< \lambda/4 @ 633 \text{ nm}$
7. SURFACE QUALITY(PARABOLOID): 40/20(S/D)
8. SURFACE ROUGHNESS(PARABOLOID): 10 nm
9. COATING(PARABOLOID): WITH PROTECTED SILVER COATING
 $R_{\text{avg}} > 97\% @ 450 \text{ nm} - 2 \mu\text{m}$
 $R_{\text{avg}} > 96\% @ 2 \mu\text{m} - 20 \mu\text{m}$
10. OPTICAL FINISH(S1): METAL DEPOSITION DIAMOND TURNING ALUMINUM SURFACE
11. SURFACE TREATMENT(S2, S3): BLACK ANODIZED
12. CHAMFER: $\leq 0.8 \text{ mm}, 45^\circ$



DRAWING PROJECTION			LBTEK			
NAME	DATE	MPM1076-90-AG				
DRAWN	BSHU	Aug./12th/24	OFF-AXIS PARABOLIC MIRROR Ø 25.4 mm F=76.2 mm, AR COATING, AG			
APPROVAL	WCHENG	Aug./12th/24	MATERIAL	WEIGHT	SCALE	REV
FOR INFORMATION ONLY NOT FOR MANUFACTURING PURPOSES			AL	23.2 g	3:2	C