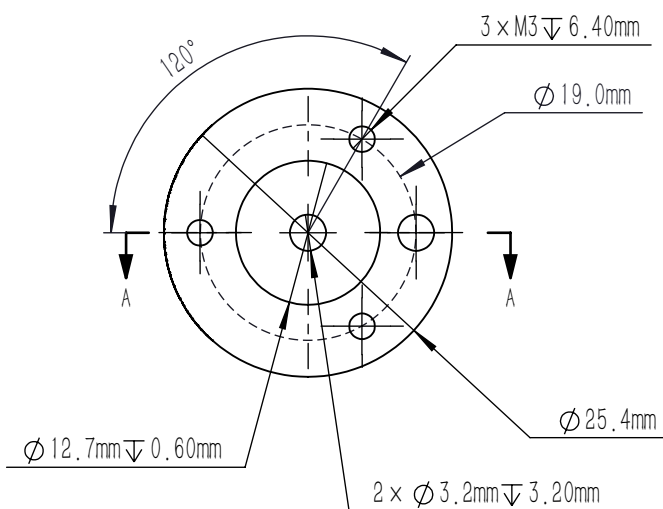


NOTES

1. MATERIAL: 6061-T6 AL
2. PARABOLIC FOCAL LENGTH: 38.10 mm±1%
3. REFLECTION FOCAL LENGTH: 76.20 mm±1%
4. OFF-AXIS ANGLE: 90°
5. CLEAR APERTURE: >90%
6. REFLECTED WAVEFRONT DIFFERENCE:  $< \lambda / 4 @ 633 \text{ nm}$
7. SURFACE QUALITY(PARABOLOID): 40/20(S/D)
8. SURFACE ROUGHNESS(PARABOLOID): 10 nm
9. COATING(PARABOLOID): WITH PROTECTED UV ENHANCED ALUMINUM COATING  
 $R_{avg} > 90\% @ 250 \text{ nm} - 450 \text{ nm}$
10. OPTICAL FINISH(S1): METAL DEPOSITION DIAMOND TURNING ALUMINUM SURFACE
11. SURFACE TREATMENT(S2, S3): BLACK ANODIZED
12. CHAMFER:  $\leq 0.8 \text{ mm}, 45^\circ$



DRAWING PROJECTION			<b>LBTEK</b>			
NAME	DATE					
			MPM1076-90-UVAL			
DRAWN	BSHU	Aug./12th/24	OFF-AXIS PARABOLIC MIRROR $\varnothing 25.2 \text{ mm } F=76.2 \text{ mm}, \text{AR COATING: UVAL}$			
APPROVAL	WCHENG	Aug./12th/24	MATERIAL	WEIGHT	SCALE	REV
FOR INFORMATION ONLY NOT FOR MANUFACTURING PURPOSES			AL	24.7 g	3:2	C