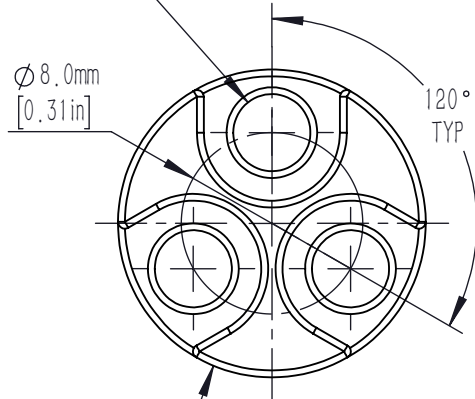
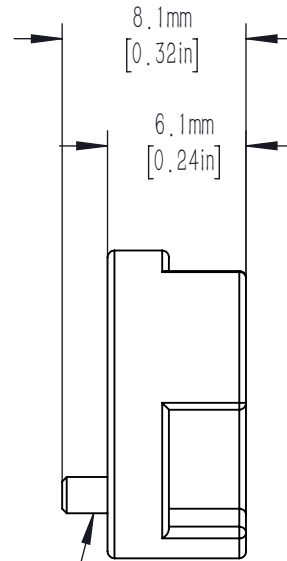


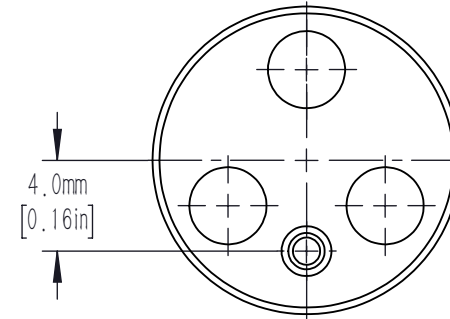
MOUNTING HOLES FOR
M3 CAP SCREW
3 PLACES



SM05(Ø0.535in-40) SERIES
SM05R(1)(RETAINING RING INCLUDED)
TO SECURE ADAPTER



Ø1.6mm[0.06in] HARDENED DOWEL
PIN 2.0mm[0.08in] EXTENDING



DRAWING PROJECTION			LBTEK			
	NAME	DATE	MPSM05TA			
DRAWN	YCH	MAR./16th/21	SM05 ADAPTER FOR Ø12.7mm MPM MIRROR MOUNTING			
APPROVAL	WCH	MAR./16th/21	MATERIAL	WEIGHT	SCALE	REV
FOR INFORMATION ONLY NOT FOR MANUFACTURING PURPOSES			ALUMINUM	0.001 Kg	3:1	A