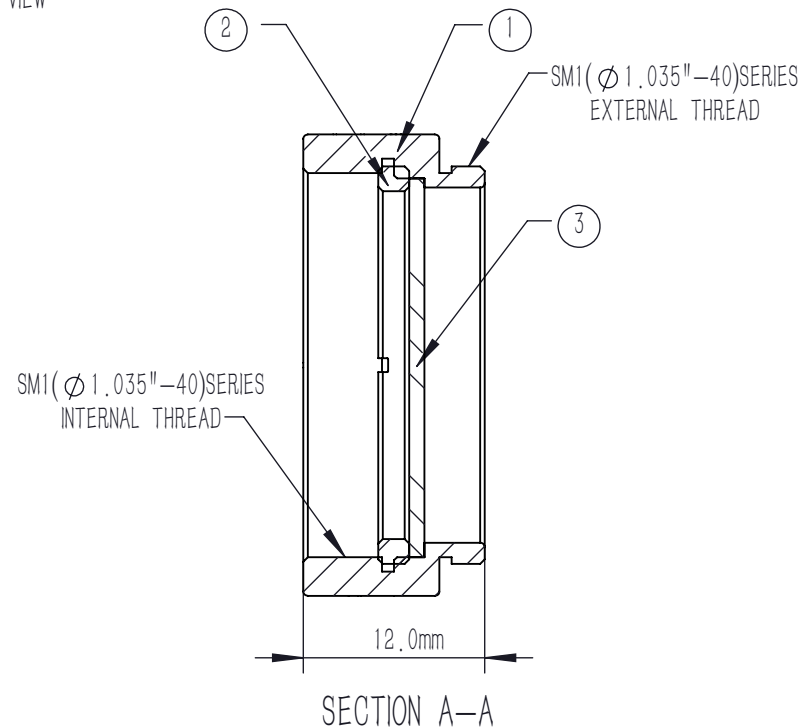


FRONT VIEW



BACK VIEW



| NUMBER | PART DESCRIPTION | MATERIAL |
|--------|--------------------|-------------------------|
| ① | MECHANICAL HOUSING | BLACK ANODIZED ALUMINUM |
| ② | SM1R | BLACK ANODIZED ALUMINUM |
| ③ | WAVEPLATE | QUARTZ |

NOTES

1. DESIGN WAVELENGTH: 520 nm
2. CLEAR APERTURE: >90% CA
3. DELAY: $m\lambda + \lambda/4$
4. DELAY TOLERANCE: $\pm \lambda/300$
5. WAVEFRONT ERROR(RMS): $\lambda/10$ @633 nm
6. AR COATING(S1,S2): V coating @520 nm
 $R_{avg} < 0.25\%$ (6° AOI, SINGLE SURFACE)
7. CHAMFER: 45° , <0.2 mm
8. SURFACE QUALITY(S1,S2): 10/5(S/D)
9. PARALLELISM(S1,S2): <3 arcsec

| | | | | | | | |
|--|--------|--------------|--|--------------|-------|-----|--|
| DRAWING PROJECTION | | | | LBTEK | | | |
| | NAME | DATE | MQWP20-520BM | | | | |
| DRAWN | LZHOU | JUL./23th/24 | QUARTZ MULTI-ORDER WAVEPLATE SM1 LENS TUBE, Ø 25.4 mm, λ/4@520 nm | | | | |
| APPROVAL | WCHENG | JUL./23th/24 | MATERIAL | WEIGHT | SCALE | REV | |
| FOR INFORMATION ONLY NOT FOR MANUFACTURING PURPOSES | | | QUARTZ | 8.3 g | 2:1 | B | |