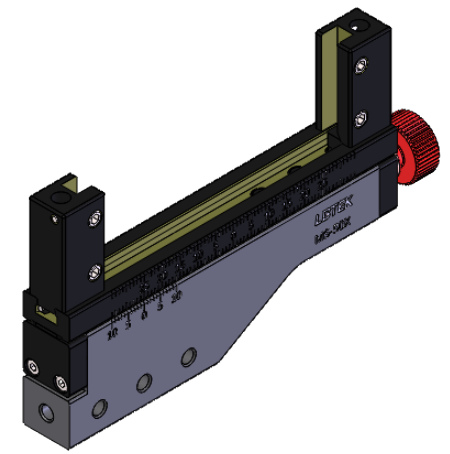
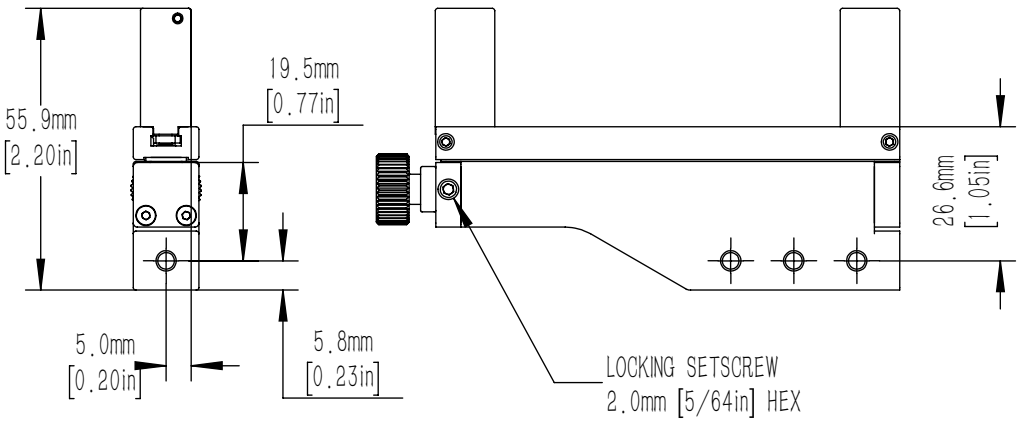


NYLON-TIPPED SETSCREW  
SECURELY HOLDS OPTICS  
2.0mm [5/64in] HEX  
4 PLACES



DRAWING PROJECTION			<b>LBTEK</b>			
	NAME	DATE				
DRAWN	HDE	Nov./10th/22	SINGLE AXIS TRANSLATION MOUNT			
APPROVAL	ZXU	Nov./10th/22	MATERIAL	WEIGHT	SCALE	REV
FOR INFORMATION ONLY NOT FOR MANUFACTURING PURPOSES			ALUMINUM	0.102 Kg	2:3	B