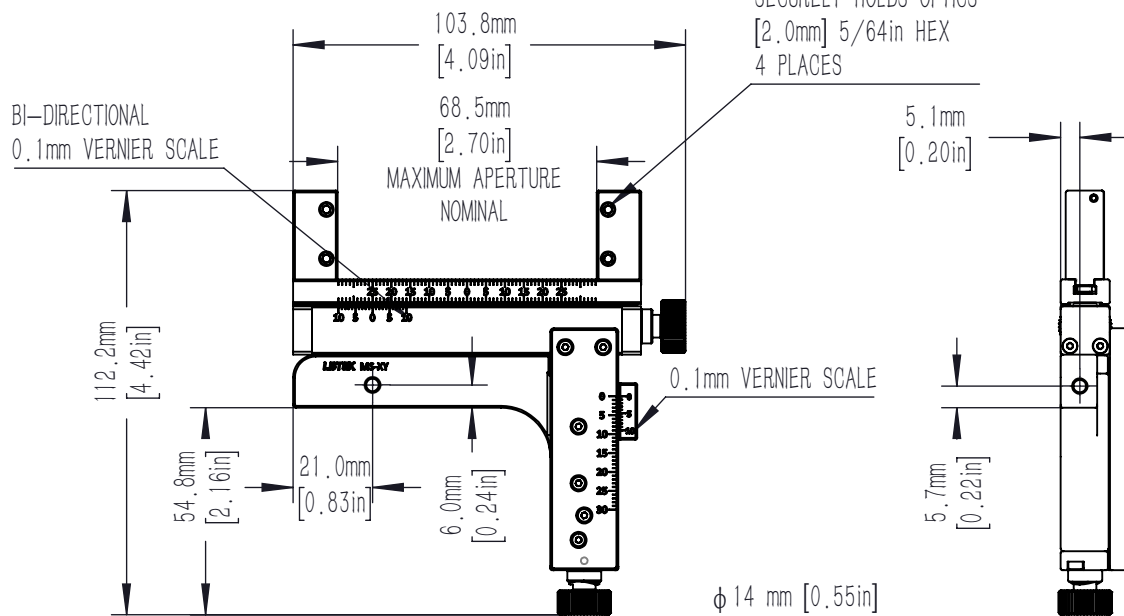


M4 x 0.7
MOUNTING HOLE
5 PLACES



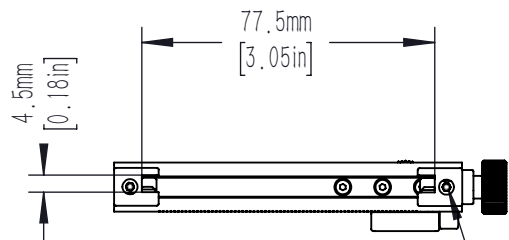
NYLON-TIPPED SETSCREW
SECURELY HOLDS OPTICS
[2.0mm] 5/64in HEX
4 PLACES

BI-DIRECTIONAL
0.1mm VERNIER SCALE

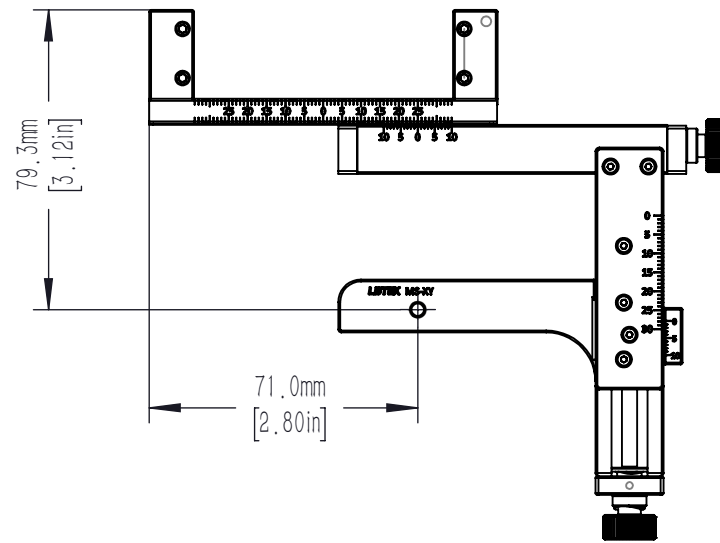
MAXIMUM APERTURE
NOMINAL

0.1mm VERNIER SCALE

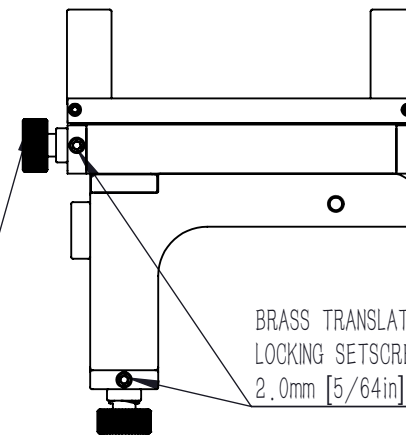
φ 14 mm [0.55in]
VERTICAL-AXIS ACTUATOR
0-30mm TRANSLATION RANGE @
4.2mm PER REVOLUTION
5.0mm HEX



ADJUSTABLE CLAMPING ARM
LOCKING SCREW
2.0mm [5/64in] HEX
2 PLACES



φ 14mm [0.55in]
HORIZONTAL-AXIS ACTUATOR
0-50mm TRANSLATION RANGE @
4.2mm PER REVOLUTION
5.0mm HEX



BRASS TRANSLATION
LOCKING SETSCREW
2.0mm [5/64in] HEX

DRAWING PROJECTION				LBTEK			
DRAWN		CZH	JUN./15th/22	XY DISPLACEMENT ADJUSTMENT RACK			
APPROVAL		ZXU	JUN./15th/22	MATERIAL	WEIGHT	SCALE	REV
FOR INFORMATION ONLY NOT FOR MANUFACTURING PURPOSES				N/A	0.167 Kg	1:2	B