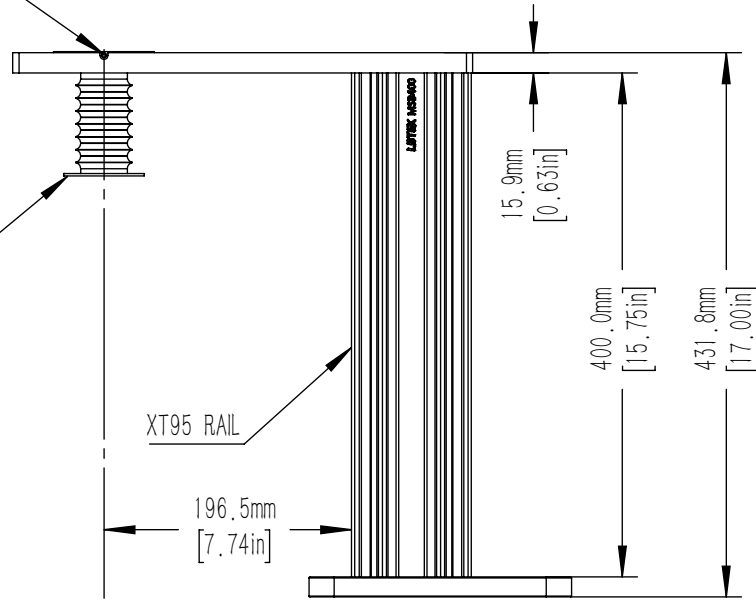


M4 SECURING SETSCREW

BELLOWS

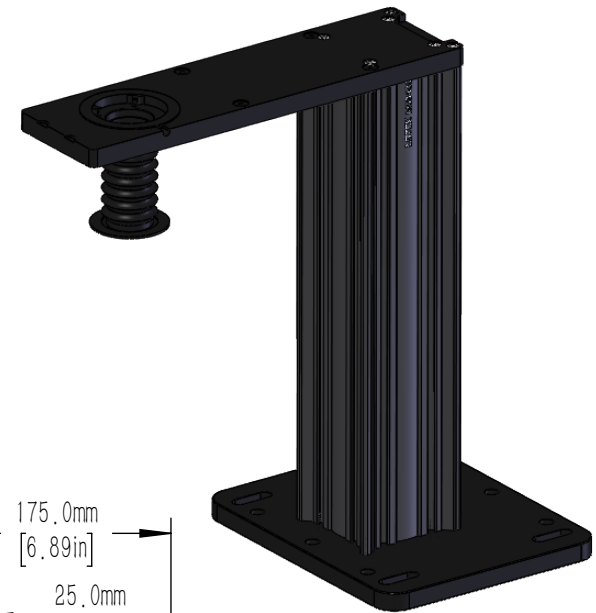
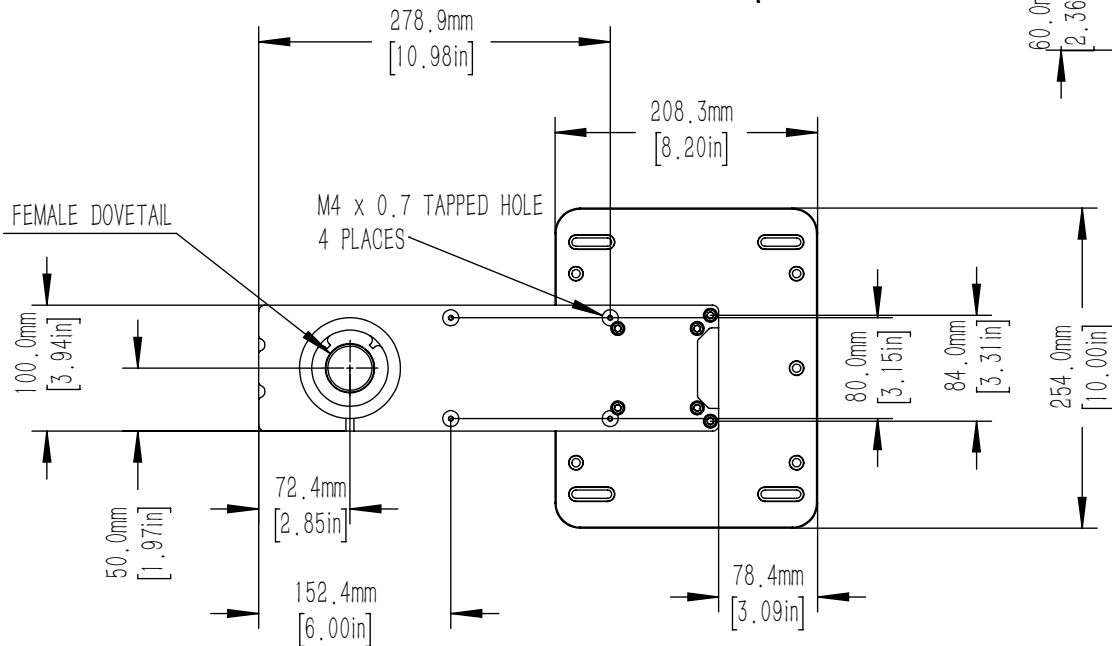
XT95 RAIL



A

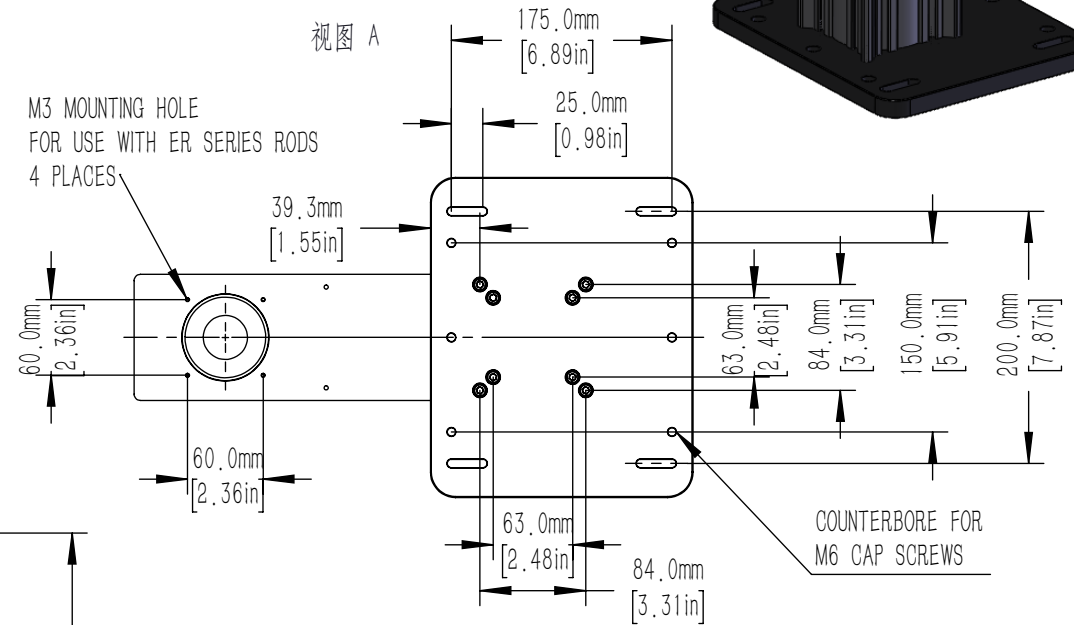
FEMALE DOVETAIL

M4 x 0.7 TAPPED HOLE  
4 PLACES

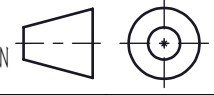


视图 A

M3 MOUNTING HOLE  
FOR USE WITH ER SERIES RODS  
4 PLACES



DRAWING PROJECTION



**LBTEK**

	NAME	DATE	MSB400			
DRAWN	SSO	MAR./15th/24	400mm TALL CERNA BODY WITH EPI ARM			
APPROVAL	HDE	MAR./15th/24	MATERIAL	WEIGHT	SCALE	REV
FOR INFORMATION ONLY NOT FOR MANUFACTURING PURPOSES			N/A	6.957 Kg	1:6	A