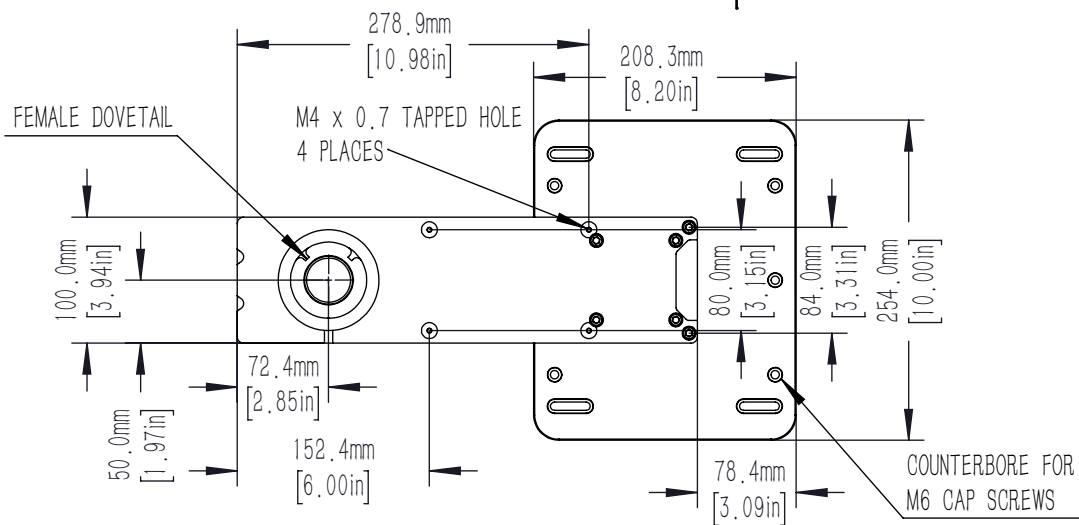
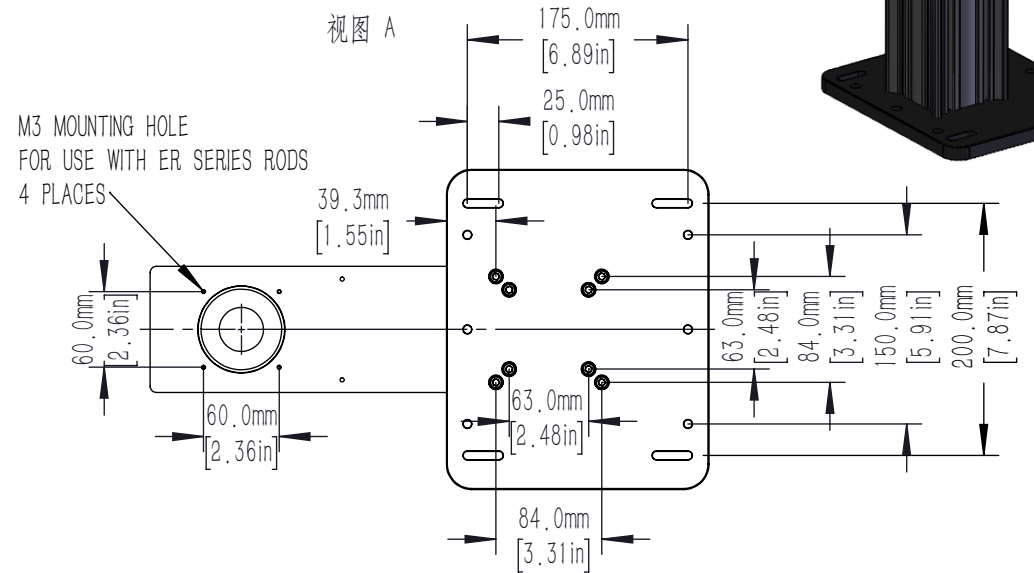
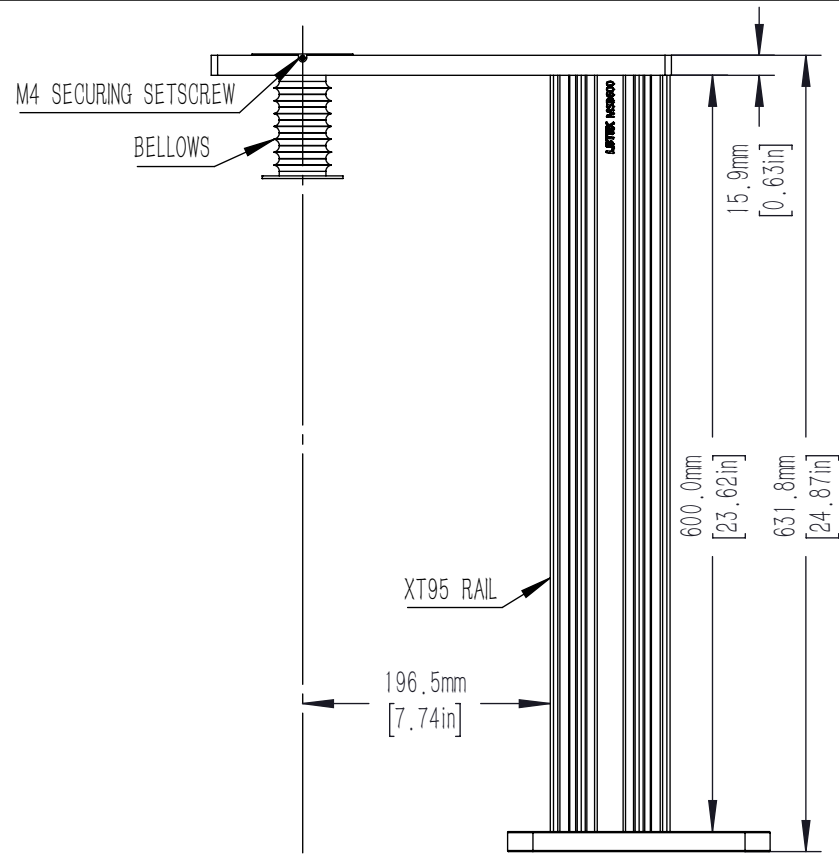
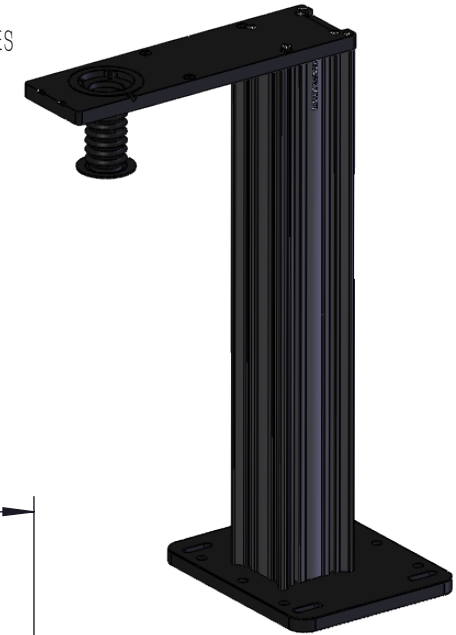


FOR INFORMATION ONLY
NOT FOR MANUFACTURING PURPOSES



DRAWING PROJECTION				<h1 style="color: red; margin: 0;">LBTEK</h1>			
	NAME	DATE					
DRAWN	PCHEN	AUG./9th/25		600 mm TALL BODY WITH EPI ARM			
APPROVAL	YHLI	AUG./9th/25		MATERIAL	WEIGHT	SCALE	REV
FOR INFORMATION ONLY NOT FOR MANUFACTURING PURPOSES				N/A	8.566 Kg	1:6	A