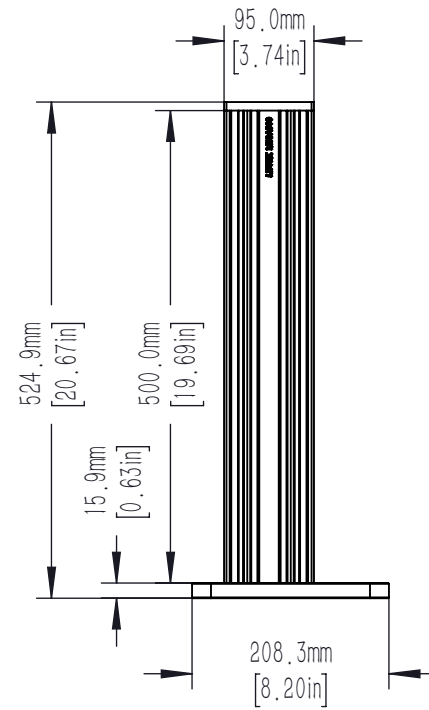
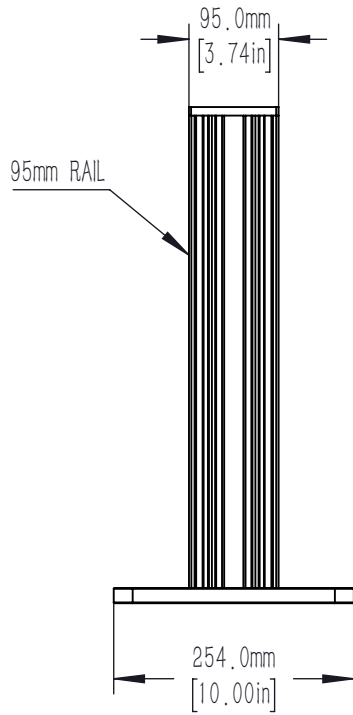
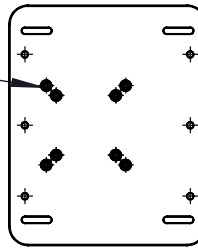
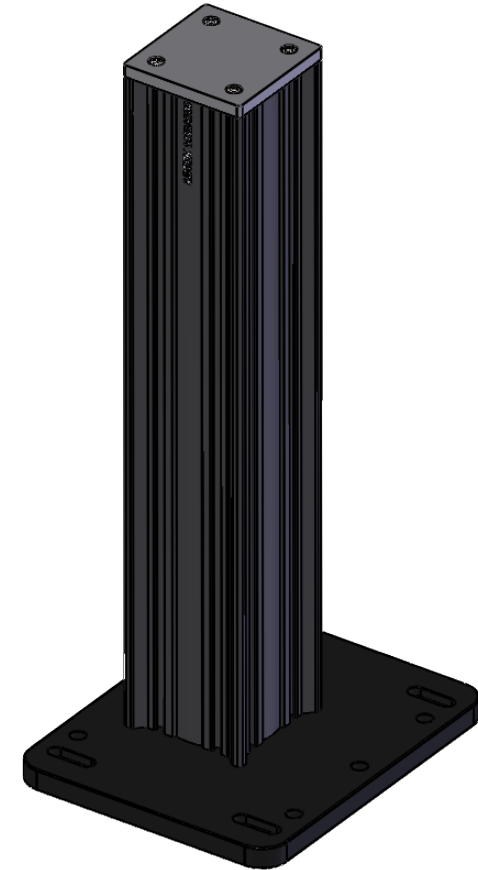
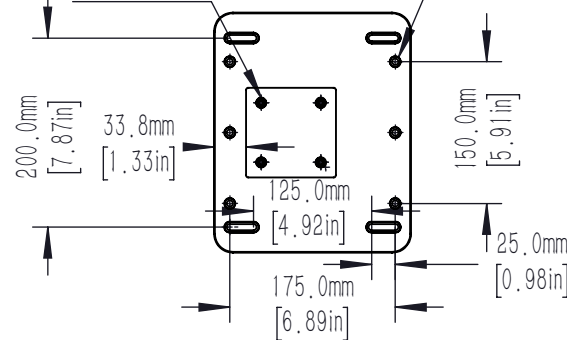


M6 CAP SCREW
5mm HEX
6 PLACES



M6 CAP SCREW
5mm HEX
4 PLACES

COUNTERBORE FOR M6 CAP SCREWS
10 PLACES



DRAWING PROJECTION			LBTEK			
	NAME	DATE				
DRAWN	PCH	AUG./13th/25	500mm TALL MICROSCOPIC FUNCTIONAL BODY			
APPROVAL	YLI	AUG./13th/25	MATERIAL	WEIGHT	SCALE	REV
FOR INFORMATION ONLY NOT FOR MANUFACTURING PURPOSES			N/A	6.475 Kg	1:8	A