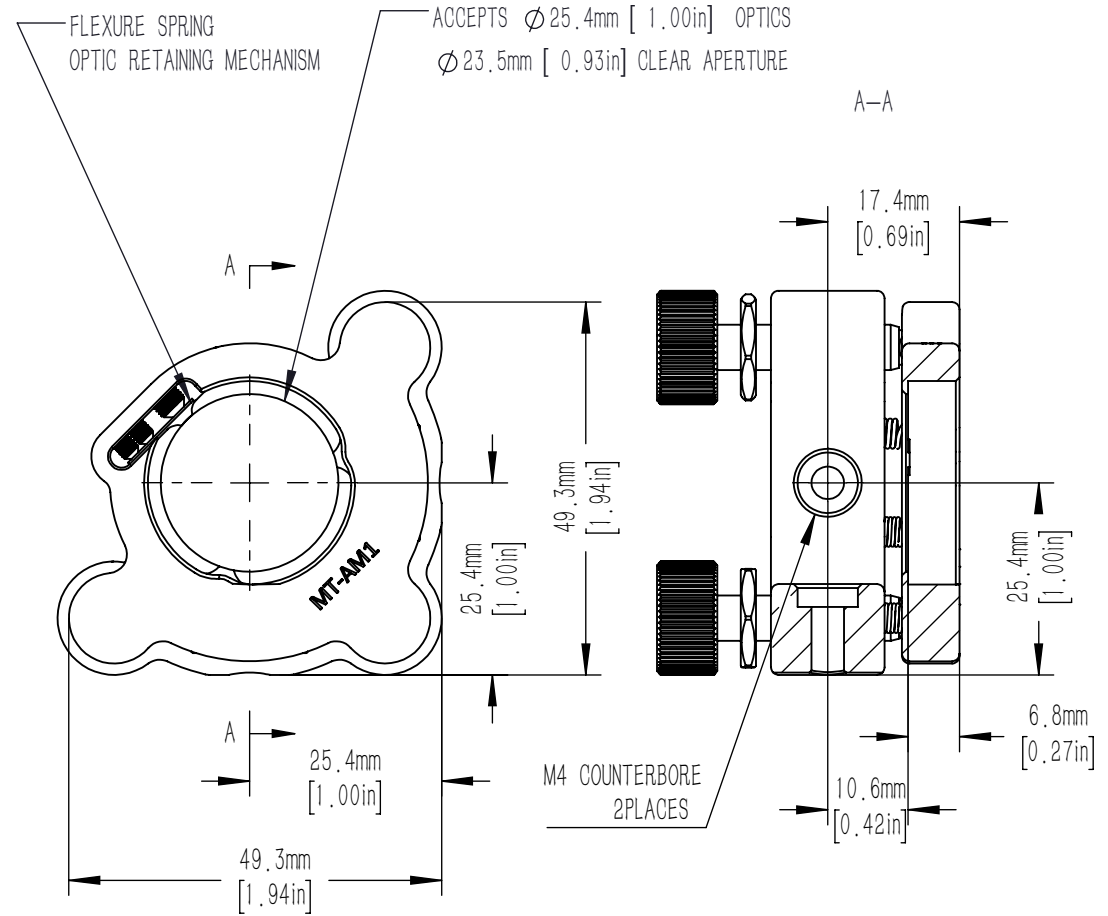
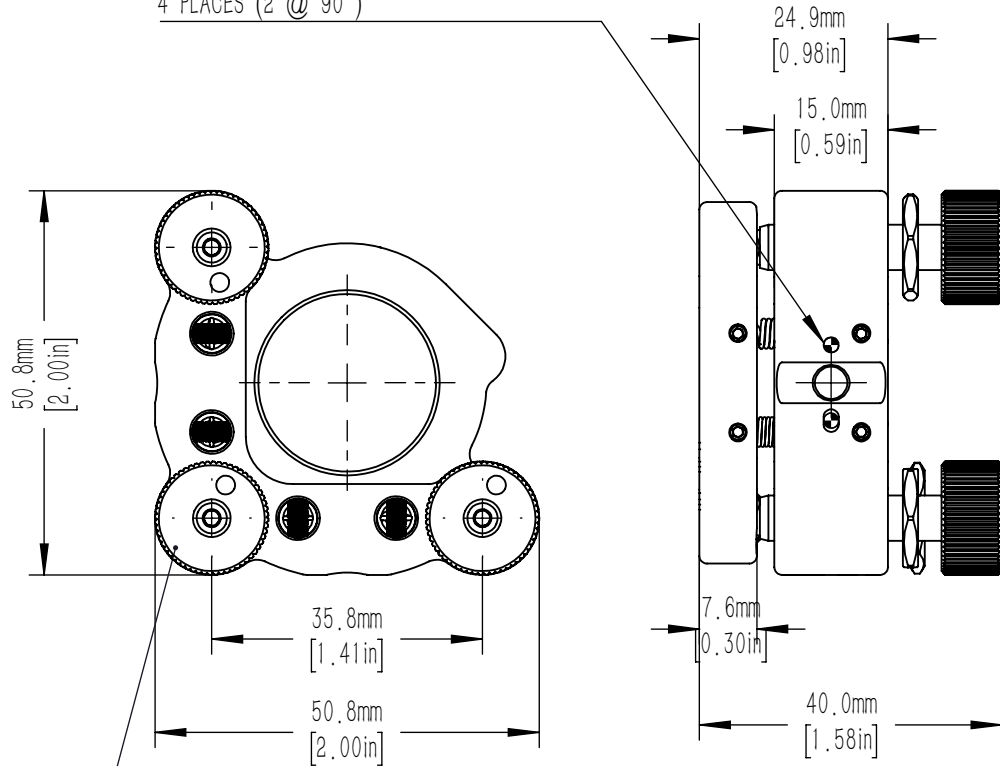
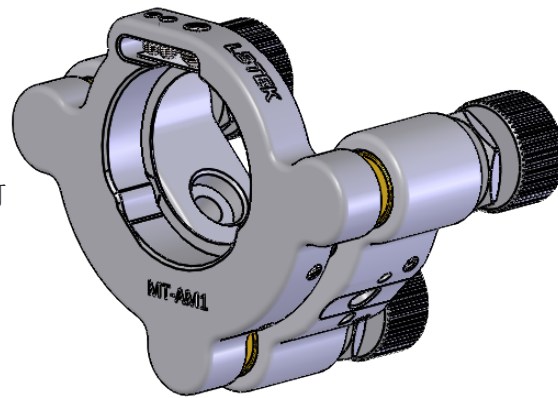


$\phi 0.079\text{in}$  [  $\phi 2.01\text{mm}$  ]  $\nabla 0.075\text{in}$  [  $1.9\text{mm}$  ]  
 ALIGNMENT PIN FEATURES  
 4 PLACES ( 2 @ 90 )



M6X0.25 ADJUSTER SCREWS  
 PROVIDES +/-4° TOTAL ANGULAR DISPLACEMENT  
 (0.4° PER REVOLUTION)  
 3 PLACES  
 2.0mm [5/64in] HEX



DRAWING PROJECTION			<b>LBTEK</b>			
NAME	DATE	MT-AM1				
DRAWN	SSO	JAN./15th/25	MIRROR MOUNT FOR $\phi 25.4\text{mm}$ OPTICS, MT HIGHSTABILITY SERIES			
APPROVAL	YLI	JAN./15th/25	MATERIAL	WEIGHT	SCALE	REV
FOR INFORMATION ONLY NOT FOR MANUFACTURING PURPOSES			N/A	0.18 Kg	1:1	C