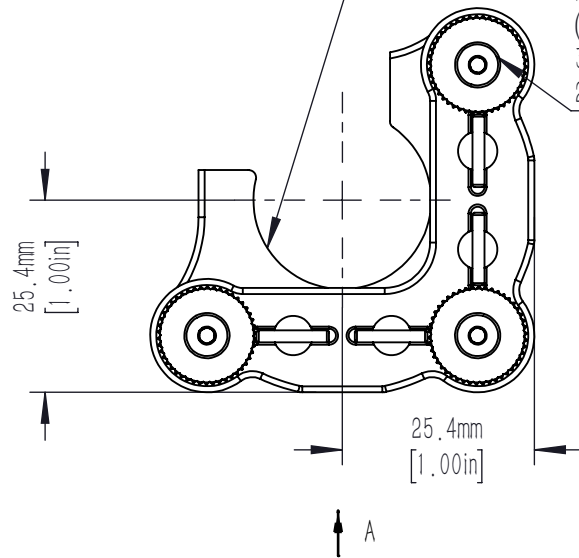
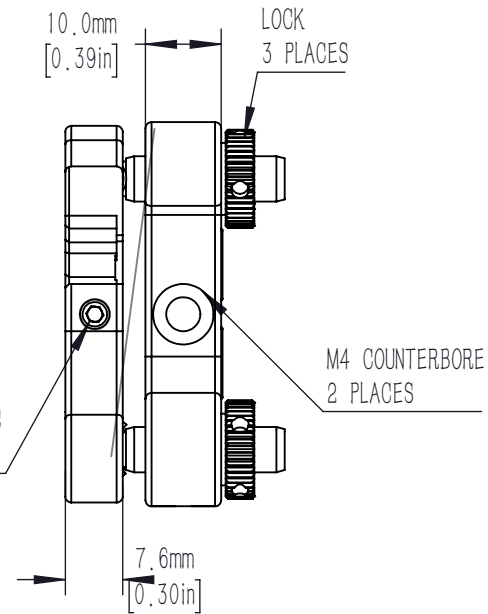


MOUNTING DOUBLE-BORE
 ACCEPTS $\phi 25.4\text{mm}$ [$\phi 1.18\text{in}$]
 MINIMUM 3.0mm [0.12in]
 $\phi 26.0\text{mm}$ [$\phi 1.06\text{in}$] CLEAR APERTURE

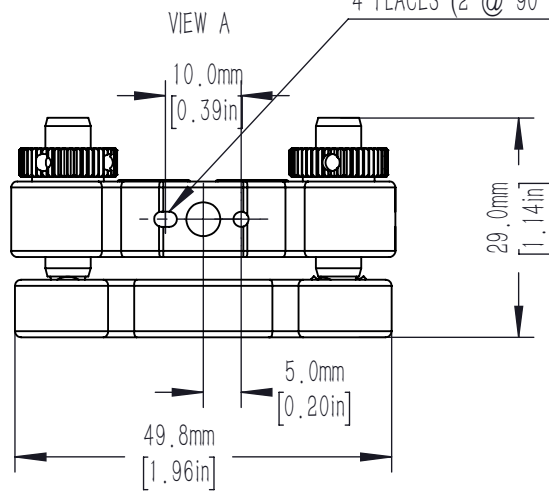


M6X0.25 ADJUSTER SCREWS
 PROVIDES $\pm 4^\circ$ TOTAL ANGULAR DISPLACEMENT
 (0.4° PER REVOLUTION)
 3 PLACES
 2.0mm [5/64in] HEX

POM-TIPPED SET SCREW
 FOR SECURING OF MOUNTED OPTIC
 2.0mm [5/64in] HEX



$\phi 0.079\text{in}$ [$\phi 2.01\text{mm}$]
 DEEP 0.075in [1.9mm]
 ALIGNMENT PIN FEATURES
 4 PLACES (2 @ 90°)



DRAWING PROJECTION			LBTEK			
	NAME	DATE	MT-AM1C1			
DRAWN	CZH	NOV./15th/23	HEX DRIVE MIRROR MOUNT FOR $\phi 25.4\text{mm}$ OPTICS, MTHIGH STABILITY SERIES			
APPROVAL	HDE	NOV./15th/23	MATERIAL	WEIGHT	SCALE	REV
FOR INFORMATION ONLY NOT FOR MANUFACTURING PURPOSES			N/A	0.147 Kg	1:1	B