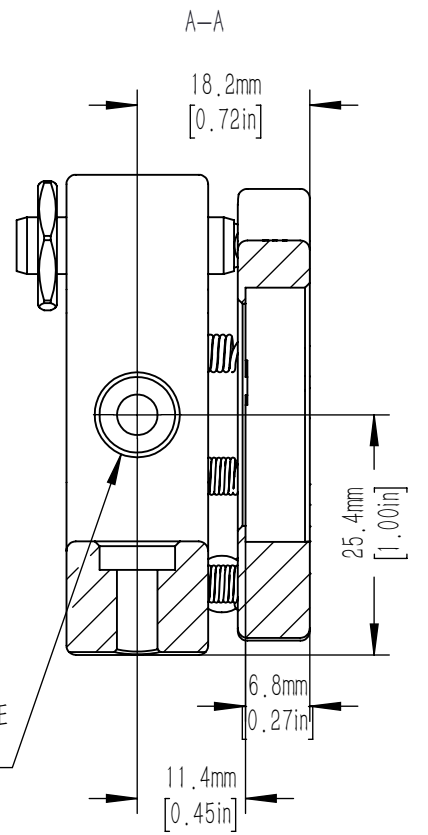
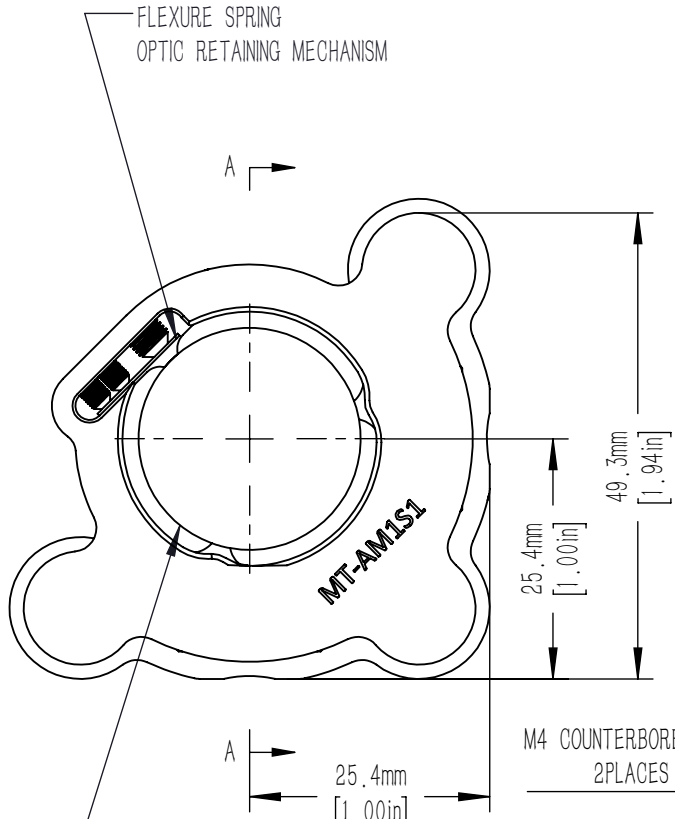
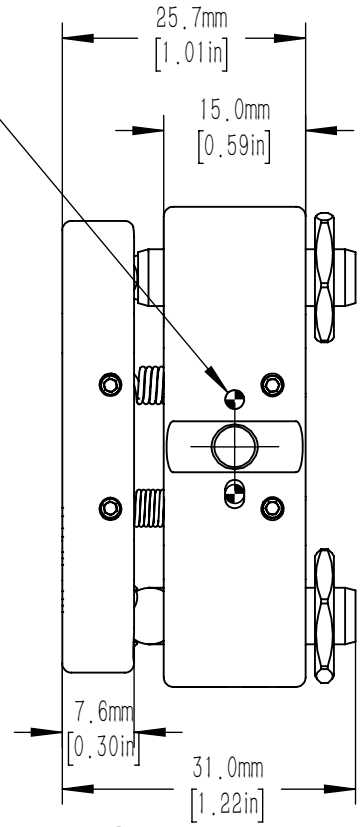
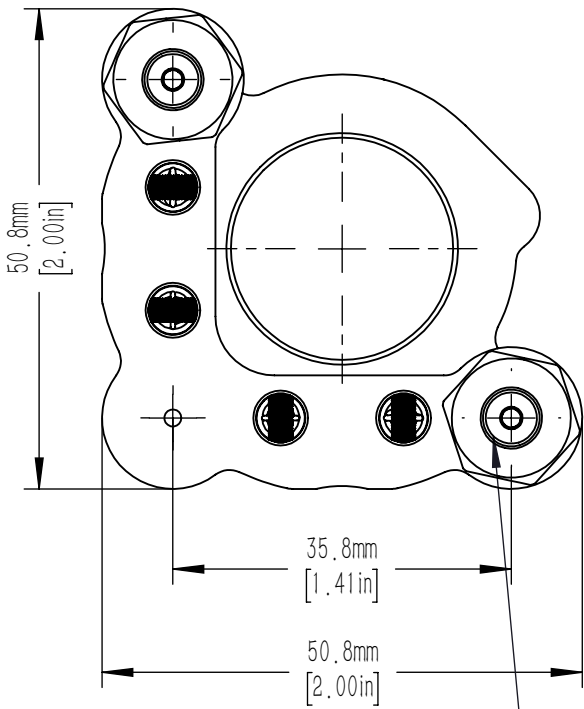
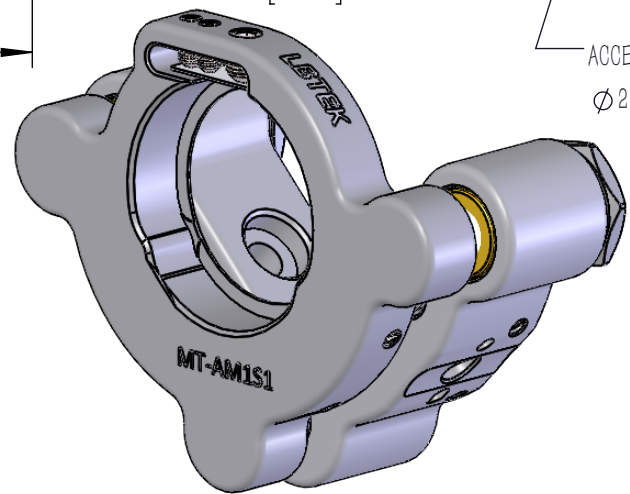


$\varnothing 0.079\text{in}$  [  $\varnothing 2.01\text{mm}$  ]  $\nabla 0.075\text{in}$  [  $1.9\text{mm}$  ]  
 ALIGNMENT PIN FEATURES  
 4 PLACES ( 2 @ 90 )



ACCEPTS  $\varnothing 25.4\text{mm}$  [  $1.00\text{in}$  ] OPTICS  
 $\varnothing 23.5\text{mm}$  [  $0.93\text{in}$  ] CLEAR APERTURE



M6X0.25 ADJUSTER SCREWS  
 PROVIDES +/-4° TOTAL ANGULAR DISPLACEMENT  
 (0.4° PER REVOLUTION)  
 2 PLACES  
 2.0mm [5/64in] HEX

DRAWING PROJECTION			<b>LBTEK</b>			
	NAME	DATE				
DRAWN	SSO	JAN./15th/25	$\varnothing 25.4$ MM STAINLESS STEEL FRAME, 2 ADJUSTERS, WITHOUT KNOBS			
APPROVAL	YLI	JAN./15th/25	MATERIAL	WEIGHT	SCALE	REV
FOR INFORMATION ONLY NOT FOR MANUFACTURING PURPOSES			N/A	0.18 Kg	5:4	C