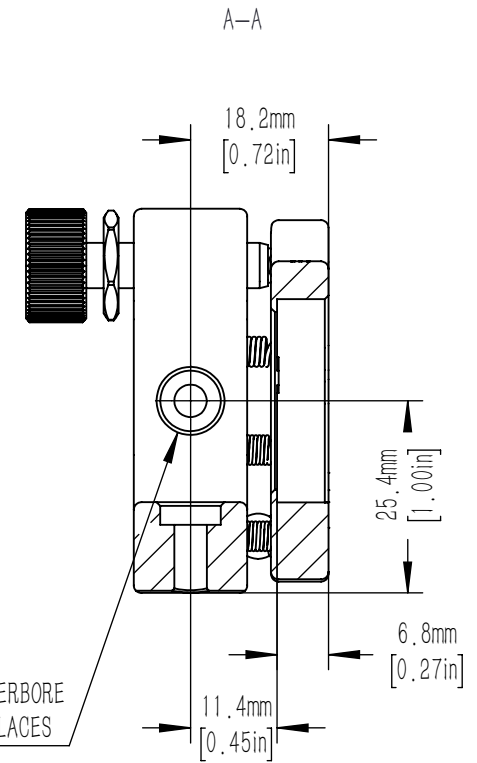
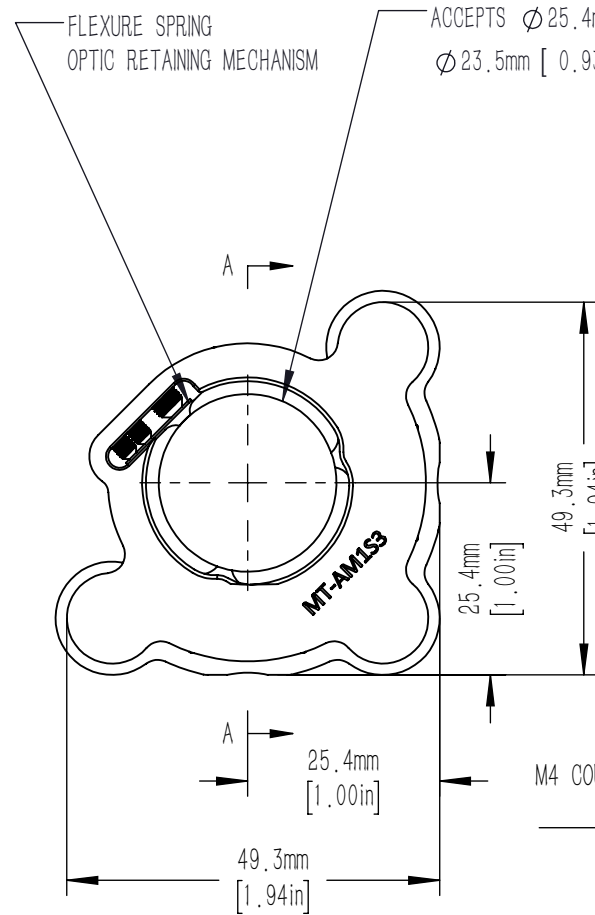
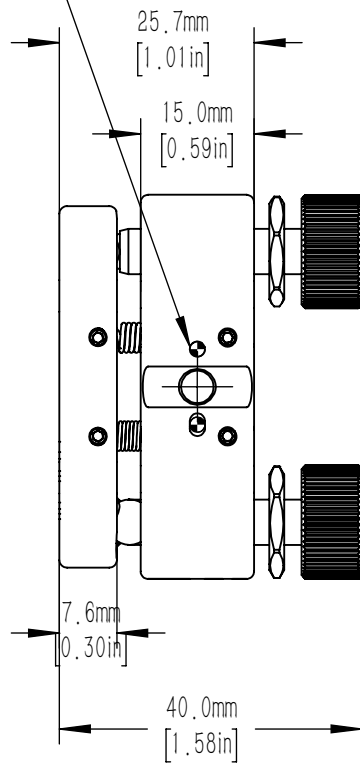
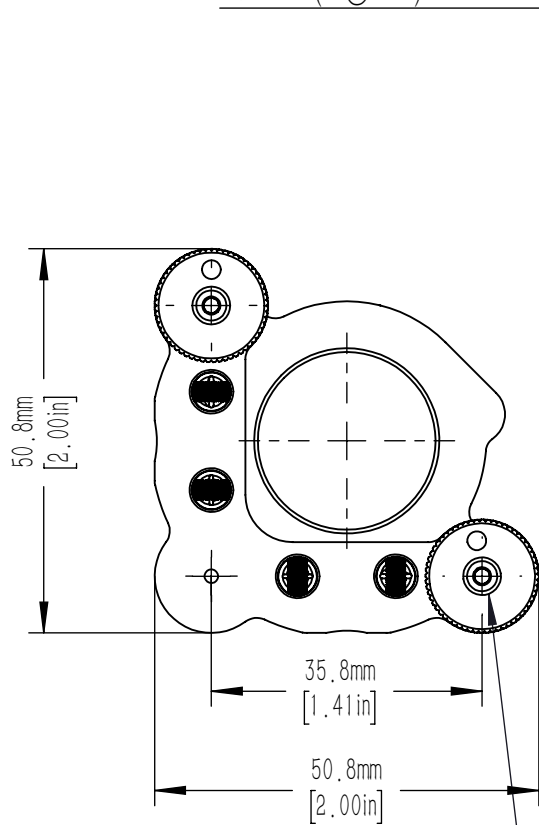
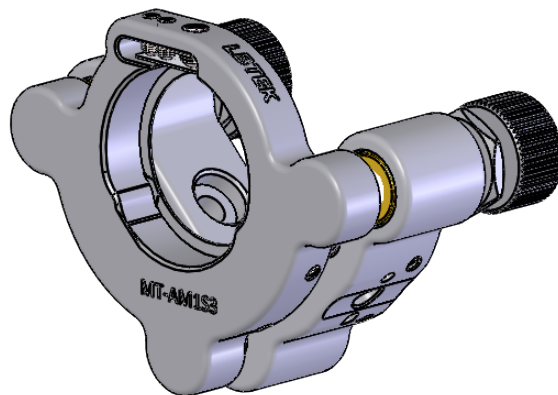


$\varnothing 0.079\text{in}$ [$\varnothing 2.01\text{mm}$] $\nabla 0.075\text{in}$ [1.9mm]
 ALIGNMENT PIN FEATURES
 4 PLACES (2 @ 90)



M6X0.25 ADJUSTER SCREWS
 PROVIDES +/-4° TOTAL ANGULAR DISPLACEMENT
 (0.4° PER REVOLUTION)
 2 PLACES
 2.0mm [5/64in] HEX



DRAWING PROJECTION				LBTEK			
	NAME	DATE	MT-AM1S3				
DRAWN	SSO	JAN./15th/25	MIRROR MOUNT FOR $\varnothing 25.4\text{mm}$ OPTICS, MT HIGHSTABILITY SERIES				
APPROVAL	YLI	JAN./15th/25	MATERIAL	WEIGHT	SCALE	REV	
FOR INFORMATION ONLY NOT FOR MANUFACTURING PURPOSES			N/A	0.18 Kg	1:1	C	