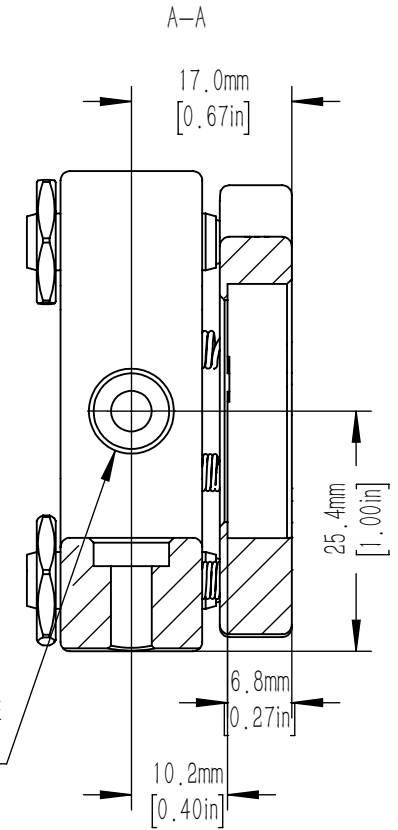
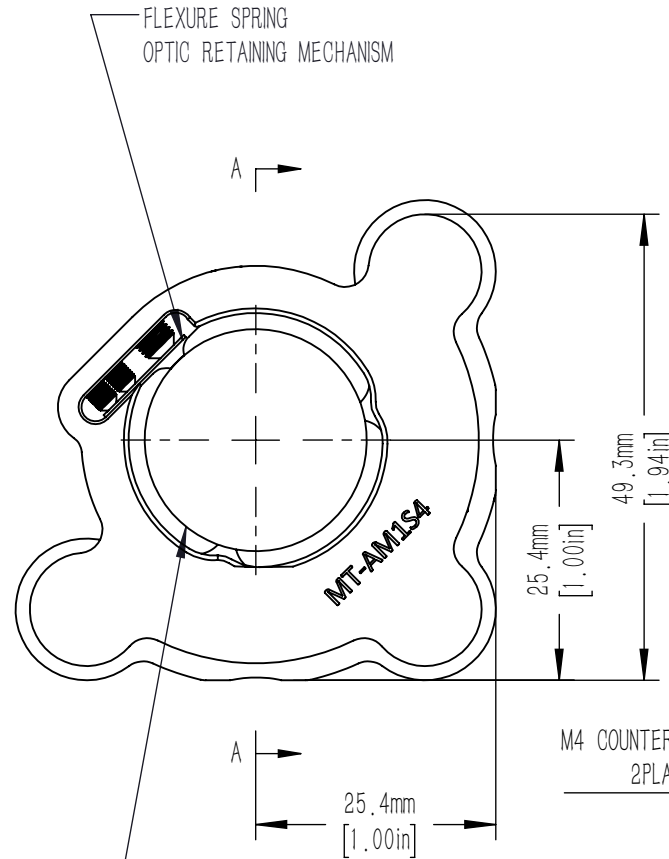
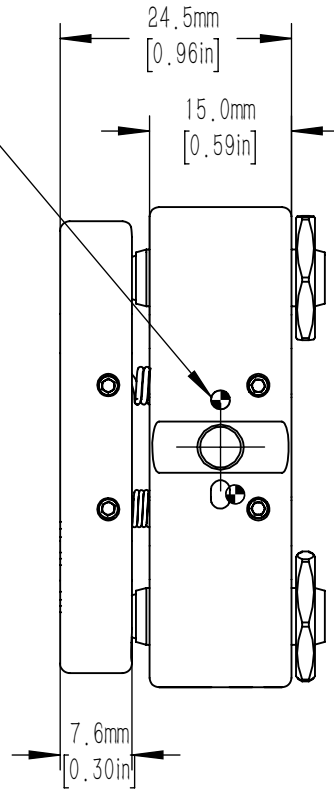
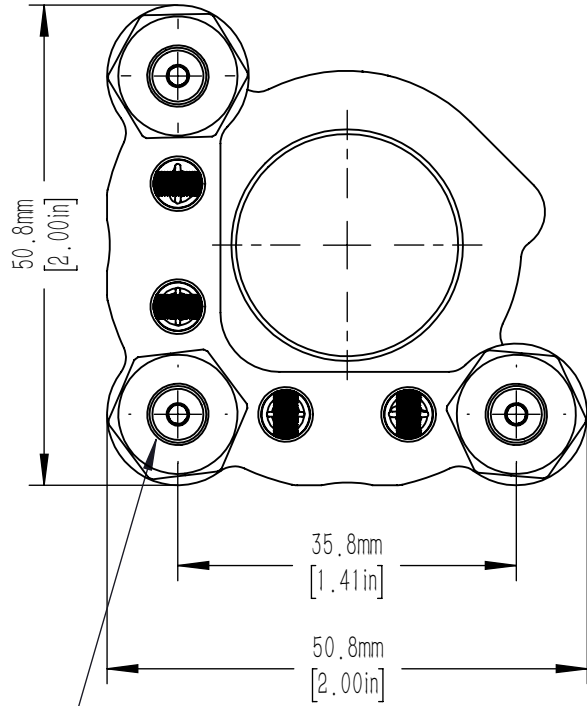
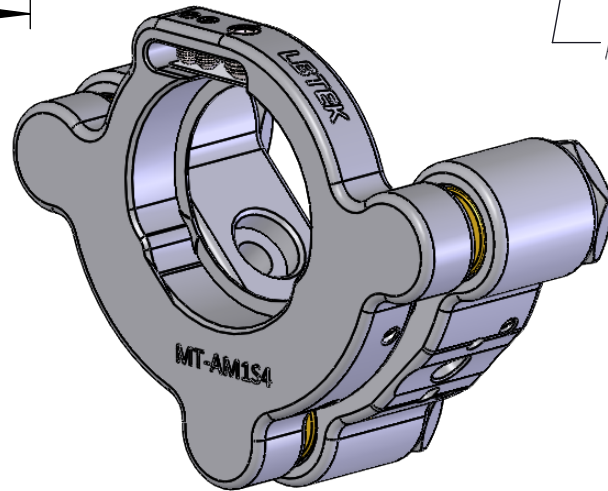


$\phi 0.079\text{in}$ [$\phi 2.01\text{mm}$] $\nabla 0.075\text{in}$ [1.9mm]
 ALIGNMENT PIN FEATURES
 4 PLACES (2 @ 90°)



ACCEPTS $\phi 25.4\text{mm}$ [1.00in] OPTICS
 $\phi 23.5\text{mm}$ [0.93in] CLEAR APERTURE

M6X0.25 ADJUSTER SCREWS
 PROVIDES $\pm 4^\circ$ TOTAL ANGULAR DISPLACEMENT
 (0.4° PER REVOLUTION)
 3 PLACES
 2.0mm [$5/64\text{in}$] HEX



DRAWING PROJECTION			LBTEK			
	NAME	DATE				
DRAWN	SSO	JAN./15th/25	$\phi 25.4$ MM STAINLESS STEEL FRAME, 3 ADJUSTERS, WITHOUT KNOBS			
APPROVAL	YLI	JAN./15th/25	MATERIAL	WEIGHT	SCALE	REV
FOR INFORMATION ONLY NOT FOR MANUFACTURING PURPOSES			N/A	0.18 Kg	5:4	C