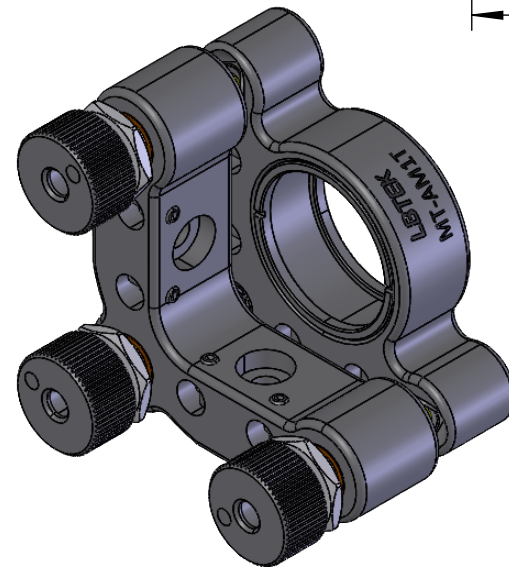
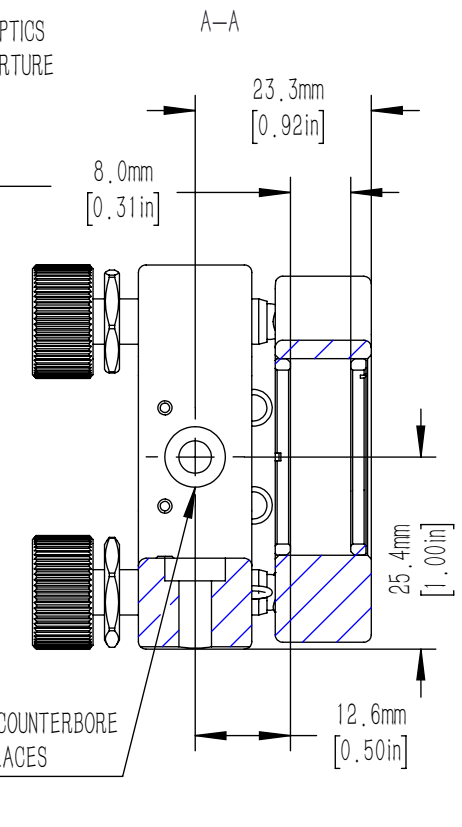
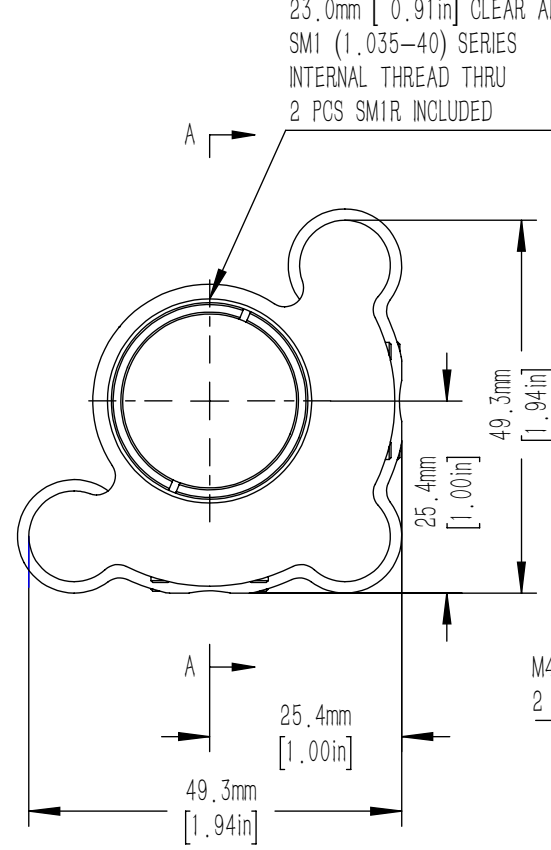
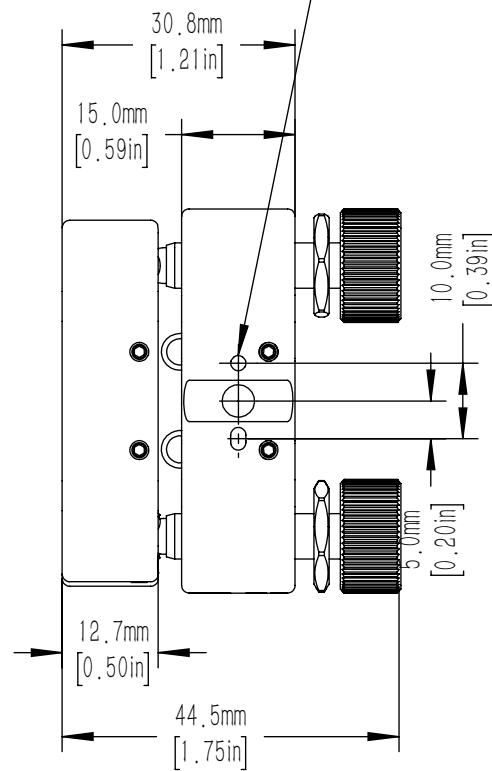
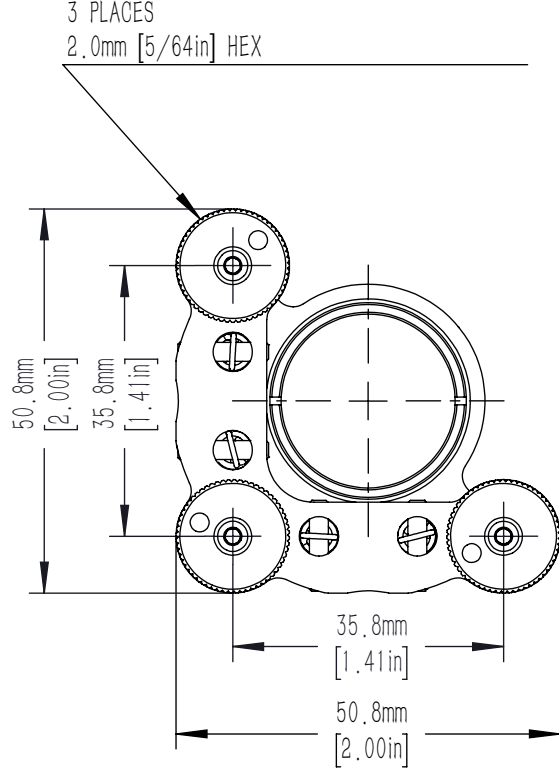


M6X0.25 ADJUSTER SCREWS
 PROVIDES +/-4° TOTAL ANGULAR DISPLACEMENT
 (0.4° PER REVOLUTION)
 3 PLACES
 2.0mm [5/64in] HEX

Ø0.079in [Ø2.01mm] ▽0.075in [1.9mm]
 ALIGNMENT PIN FEATURES
 4 PLACES (2 @ 90°)

ACCEPTS 25.4mm [1.00in] OPTICS
 23.0mm [0.91in] CLEAR APERTURE
 SM1 (1.035-40) SERIES
 INTERNAL THREAD THRU
 2 PCS SM1R INCLUDED



DRAWING PROJECTION			LBTEK			
	NAME	DATE	MT-AM1T			
DRAWN	SSO	JAN./15th/25	HEX DRIVE MIRROR MOUNT FOR Ø25.4mm OPTICS, MT HIGH STABILITY SERIES			
APPROVAL	YLI	JAN./15th/25	MATERIAL	WEIGHT	SCALE	REV
FOR INFORMATION ONLY NOT FOR MANUFACTURING PURPOSES			N/A	0.25 Kg	1:1	B