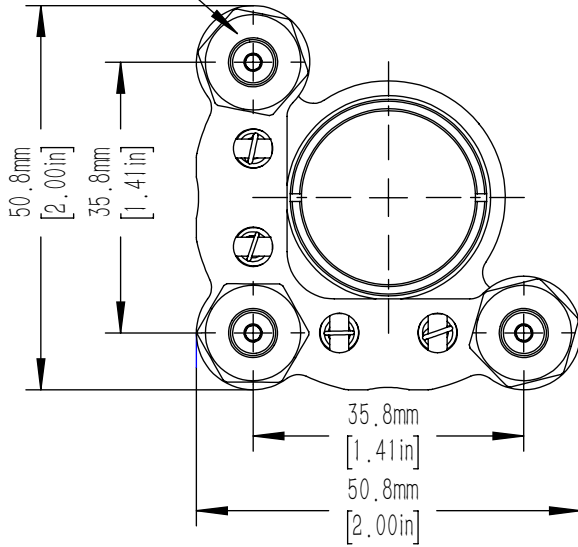
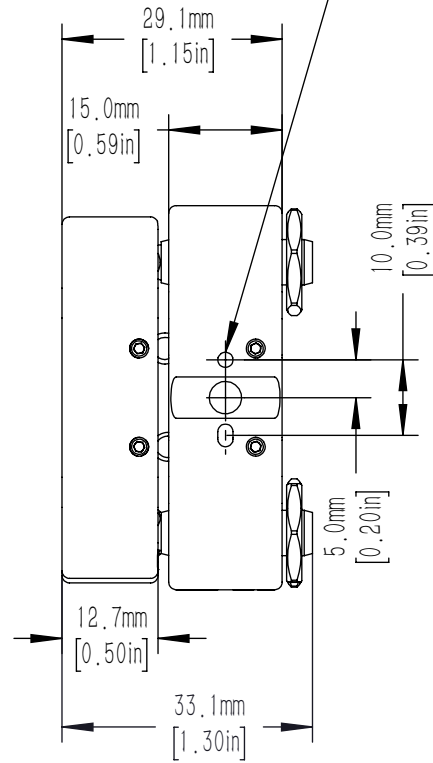


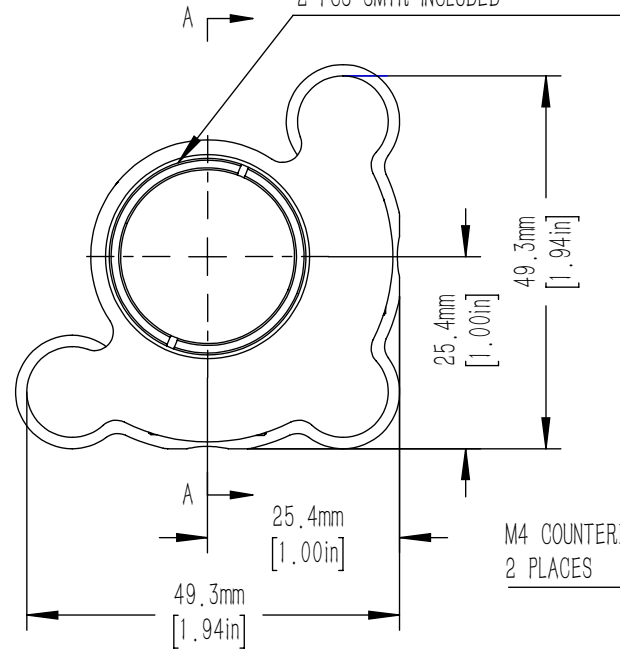
M6X0.25 ADJUSTER SCREWS  
 PROVIDES +/-4° TOTAL ANGULAR DISPLACEMENT  
 (0.4° PER REVOLUTION)  
 3 PLACES  
 2.0mm [5/64in] HEX



$\varnothing 0.079\text{in}$  [  $\varnothing 2.01\text{mm}$  ]  $\nabla 0.075\text{in}$  [1.9mm]  
 ALIGNMENT PIN FEATURES  
 4 PLACES (2 @ 90°)

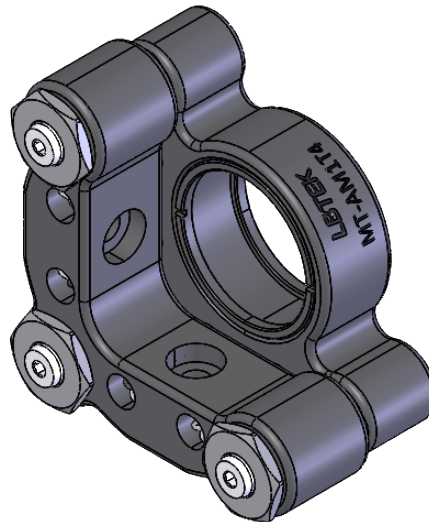
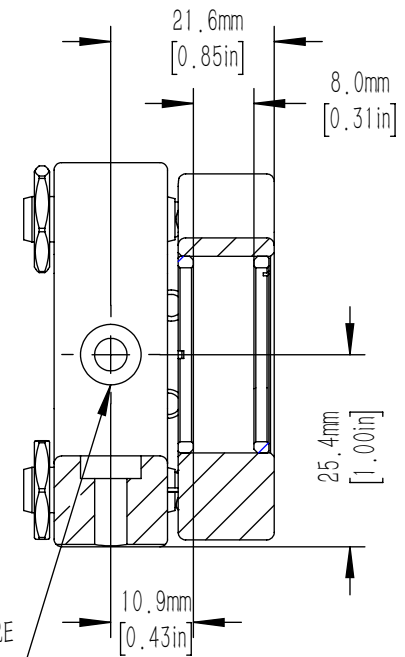


ACCEPTS 25.4mm [ 1.00in] OPTICS  
 23.0mm [ 0.91in] CLEAR APERTURE  
 SM1 (1.035-40) SERIES  
 INTERNAL THREAD THRU  
 2 PCS SMIR INCLUDED



A-A

M4 COUNTERBORE  
 2 PLACES



DRAWING PROJECTION			<b>LBTEK</b>			
	NAME	DATE	MT-AMIT4			
DRAWN	SSO	JAN./15th/25	HEX DRIVE MIRROR MOUNT FOR $\varnothing 25.4\text{mm}$ OPTICS, MT HIGH STABILITY SERIES			
APPROVAL	YLI	JAN./15th/25	MATERIAL	WEIGHT	SCALE	REV
FOR INFORMATION ONLY NOT FOR MANUFACTURING PURPOSES			N/A	0.22 Kg	1:1	B