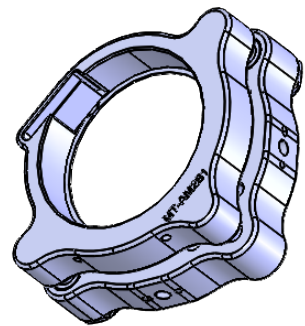
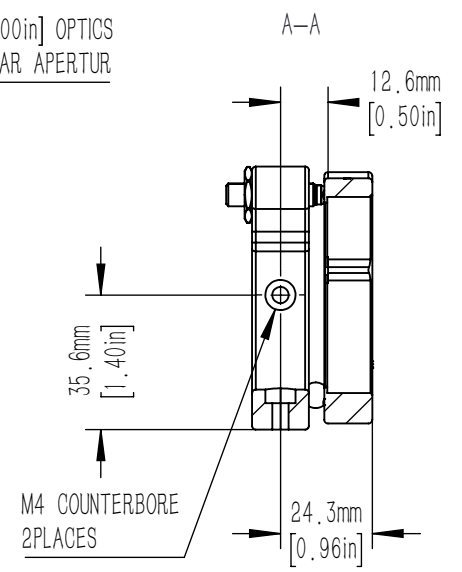
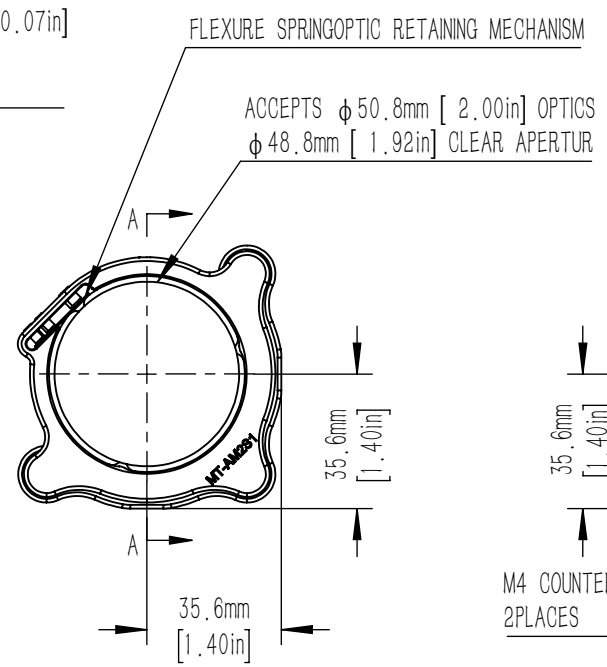
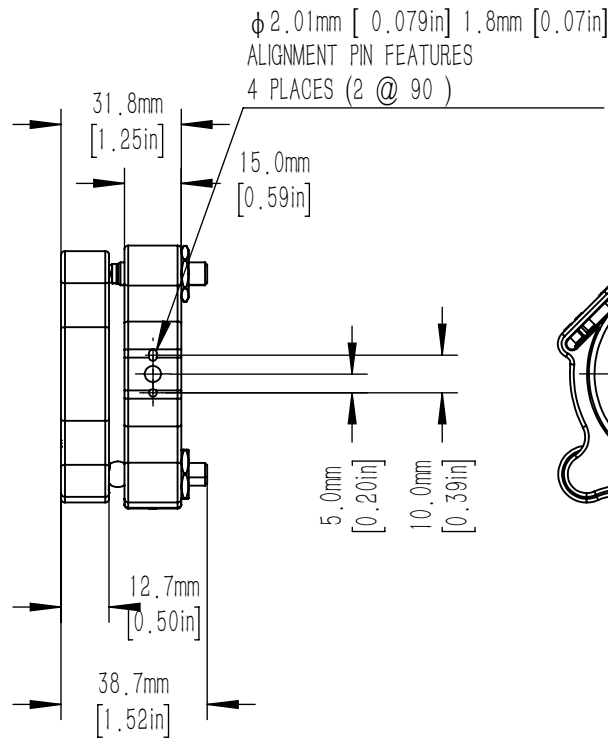
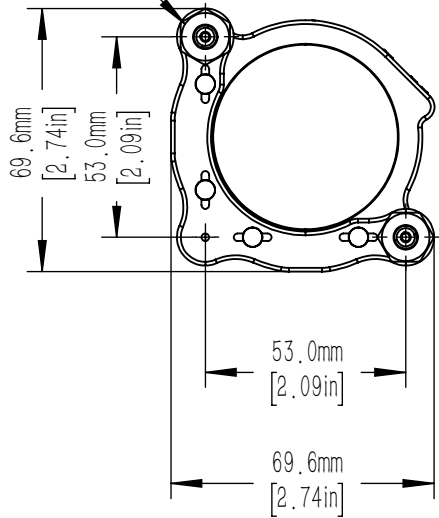


M6X0.25 ADJUSTER SCREWS PROVIDES
 PROVIDE +/-4° TOTAL ANGULAR DISPLACEMENT
 (0.4° PER REVOLUTION)

3 PLACES
 2.0mm [5/64in] HEX



DRAWING PROJECTION			LBTEK			
	NAME	DATE				
DRAWN	ZLI	DEC./16th/23	φ 50.8 MM STAINLESS STEEL FRAME, 3 ADJUSTERS, WITHOUT KNOBS			
APPROVAL	HDE	DEC./16th/23	MATERIAL	WEIGHT	SCALE	REV
FOR INFORMATION ONLY NOT FOR MANUFACTURING PURPOSES			N/A	0.327Kg	1:2	B