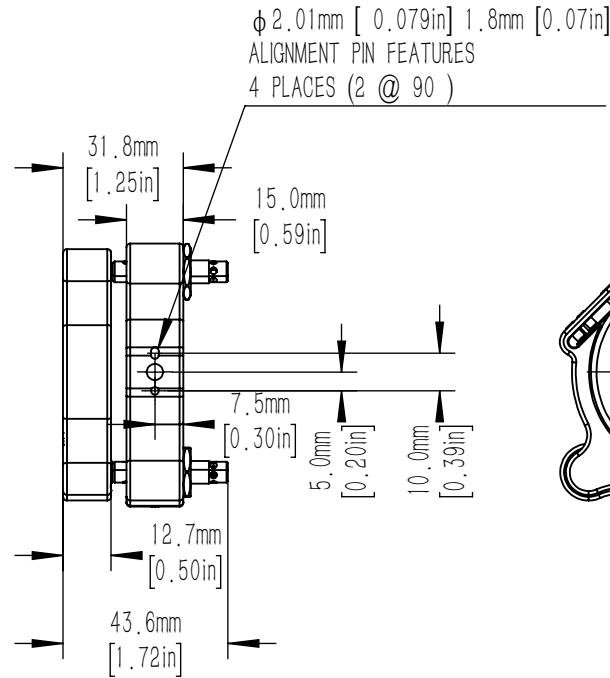
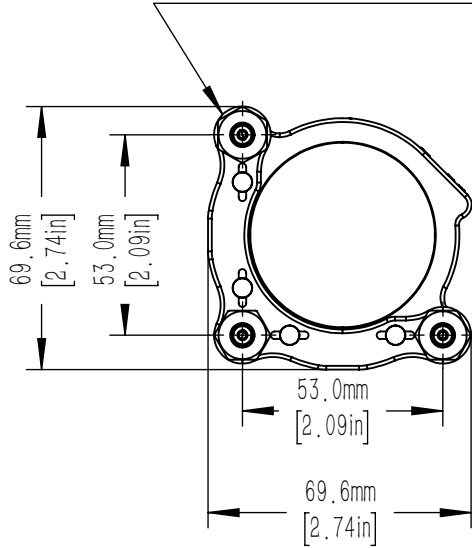
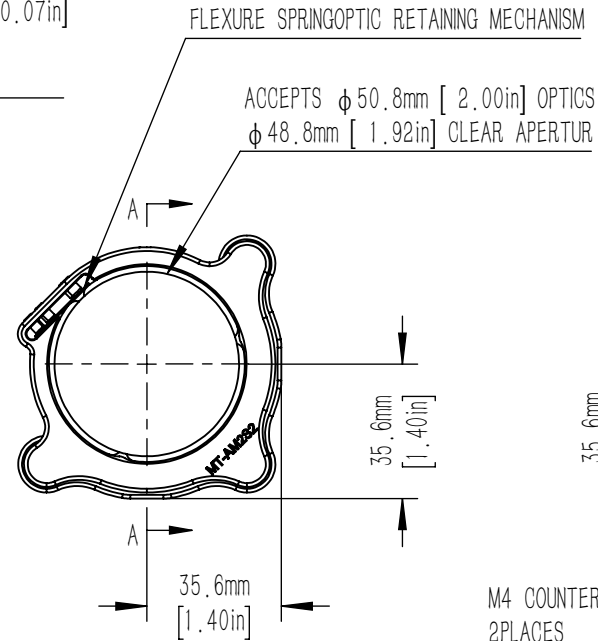


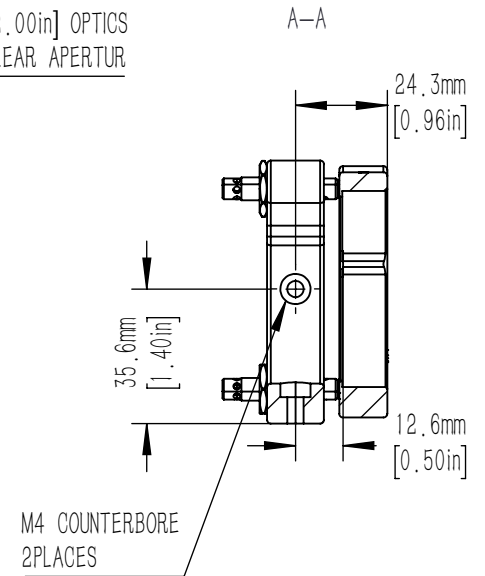
M6X0.25 ADJUSTER SCREWS PROVIDES
 PROVIDE +/-4° TOTAL ANGULAR DISPLACEMENT
 (0.4° PER REVOLUTION)
 3 PLACES
 2.0mm [5/64in] HEX
 WITH SIDE HOLE



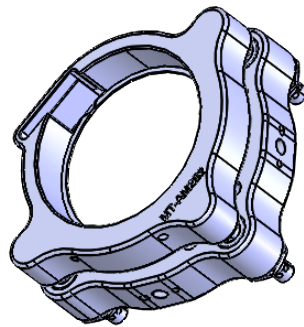
$\phi 2.01\text{mm}$ [0.079in] 1.8mm [0.07in]
 ALIGNMENT PIN FEATURES
 4 PLACES (2 @ 90°)



FLEXURE SPRING OPTIC RETAINING MECHANISM
 ACCEPTS $\phi 50.8\text{mm}$ [2.00in] OPTICS
 $\phi 48.8\text{mm}$ [1.92in] CLEAR APERTURE



M4 COUNTERBORE
 2 PLACES



DRAWING PROJECTION			LBTEK			
	NAME	DATE	MT-AM2S2			
DRAWN	ZLI	DEC./16th/23	HEX DRIVE MIRROR MOUNT FOR $\phi 50.8\text{mm}$ OPTICS, MT HIGH STABILITY SERIE			
APPROVAL	HDE	DEC./16th/23	MATERIAL	WEIGHT	SCALE	REV
FOR INFORMATION ONLY NOT FOR MANUFACTURING PURPOSES			N/A	0.322Kg	1:2	B