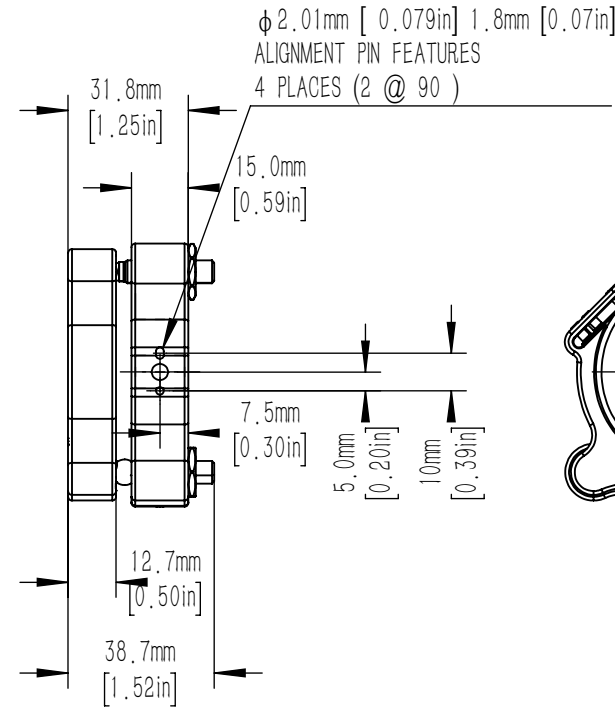
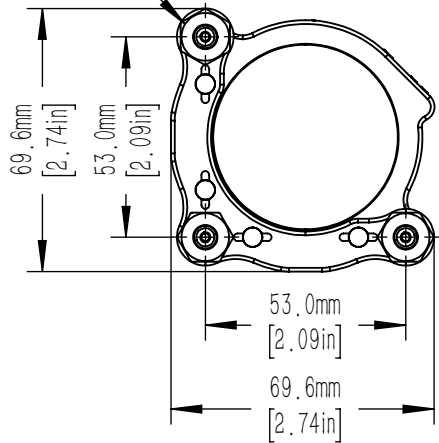
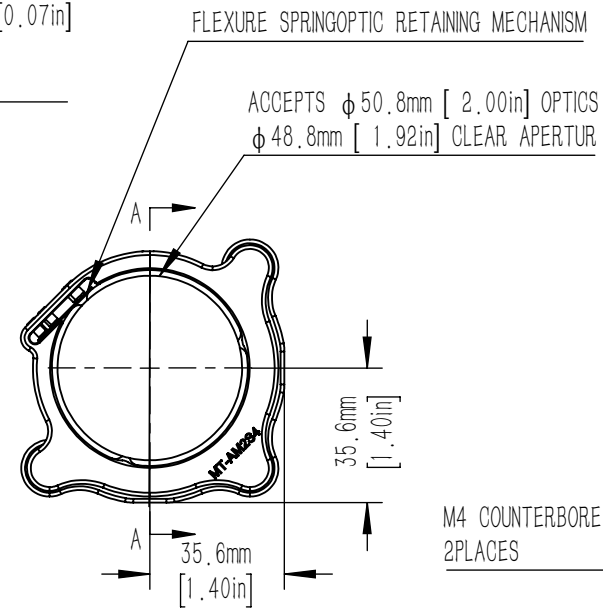


M6X0.25 ADJUSTER SCREWS PROVIDES
 PROVIDE +/-4° TOTAL ANGULAR DISPLACEMENT
 (0.4° PER REVOLUTION)

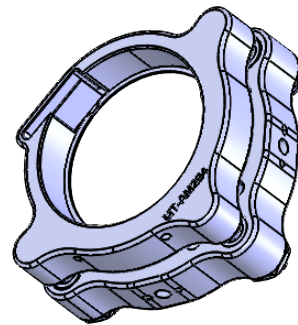
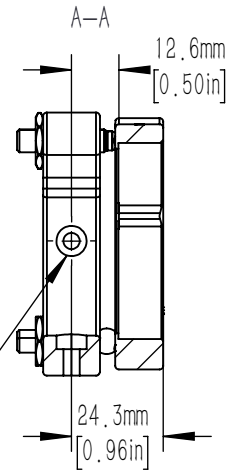
3 PLACES
 2.0mm [5/64in] HEX



$\phi 2.01\text{mm}$ [0.079in] 1.8mm [0.07in]
 ALIGNMENT PIN FEATURES
 4 PLACES (2 @ 90°)



M4 COUNTERBORE
 2 PLACES



DRAWING PROJECTION			LBTEK			
NAME	DATE					
			MT-AM2S4			
DRAWN	ZLI	DEC./16th/23	$\phi 50.8$ MM STAINLESS STEEL FRAME, 3 ADJUSTERS, WITHOUT KNOBS			
APPROVAL	HDE	DEC./16th/23	MATERIAL	WEIGHT	SCALE	REV
FOR INFORMATION ONLY NOT FOR MANUFACTURING PURPOSES			N/A	0.335Kg	1:2	B