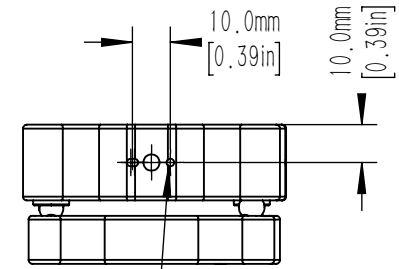


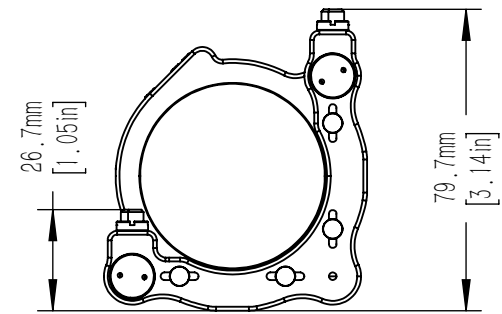
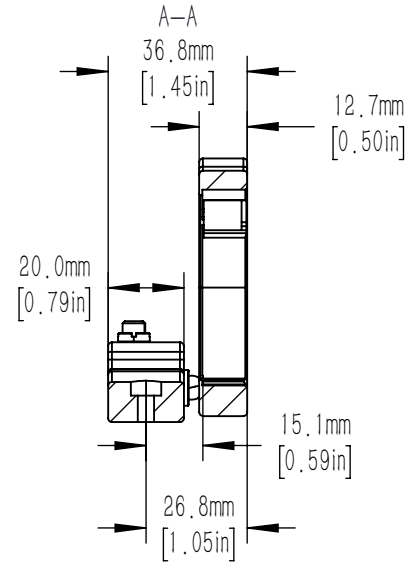
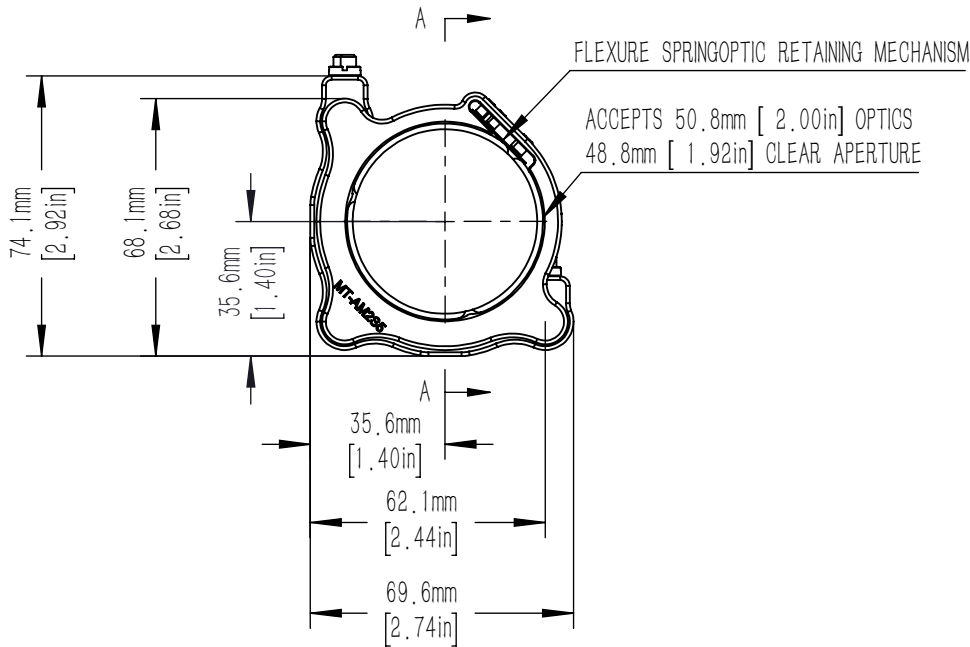
M6X0.25 ADJUSTER SCREWS ADJUSTER LOCKING NUT
PROVIDES +/-4° TOTAL ANGULAR DISPLACEMENT
(0.4° PER REVOLUTION)
2 PLACES 2.0mm [5/64in] HEX

FLEXURE LOCK SCREW
2.0mm HEX



2.01mm [0.079in] 1.8mm [0.07in] DEEP
ALIGNMENT PIN FEATURES
4 PLACES(2@90°)
(SEE NOTE(1&2)BELOW)

E



DRAWING PROJECTION							
	NAME	DATE	MT-AM2S5				
DRAWN	ZLI	DEC./16th/23	HEX DRIVE MIRROR MOUNT FOR ϕ 50.8mm OPTICS, MT HIGH STABILITY SERIE				
APPROVAL	HDE	DEC./16th/23	MATERIAL	WEIGHT	SCALE	REV	
FOR INFORMATION ONLY NOT FOR MANUFACTURING PURPOSES			N/A	0.320 Kg	1:2	B	