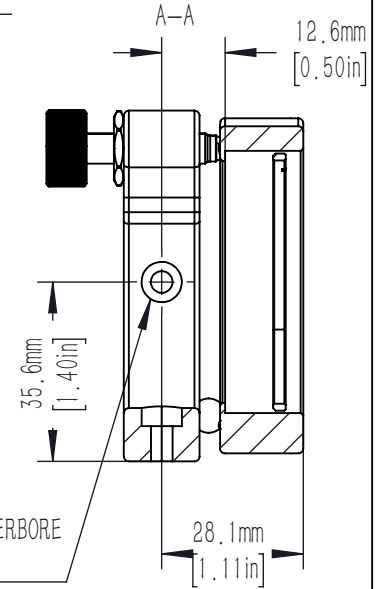
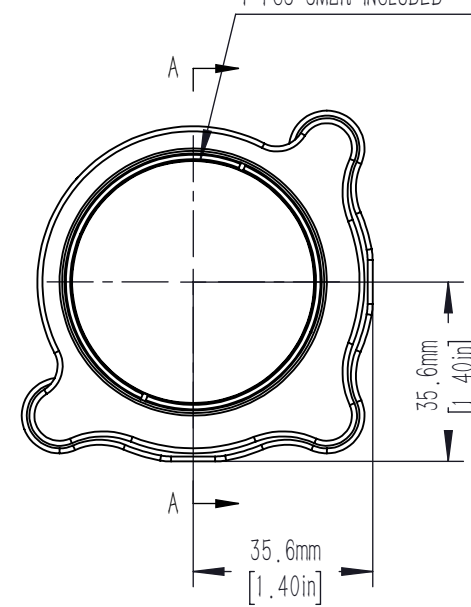
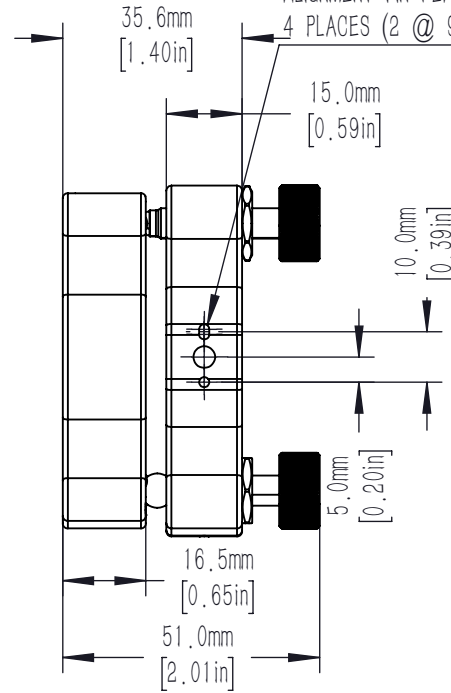
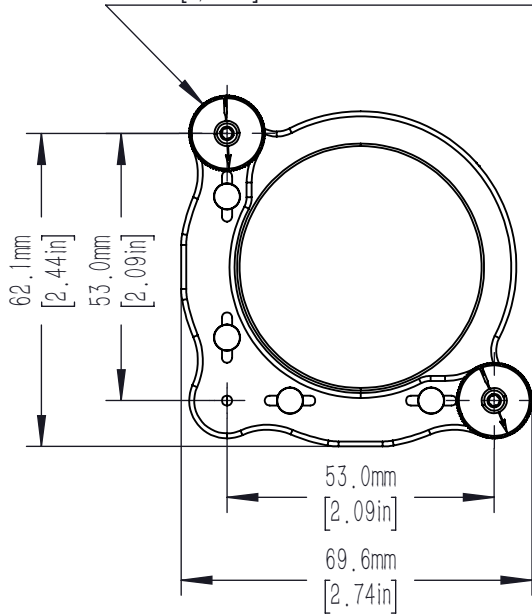


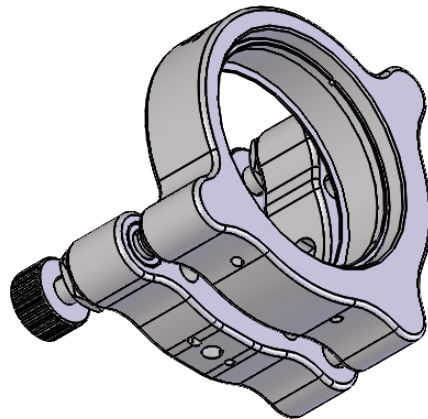
M6X0.25 ADJUSTER SCREWS
 PROVIDES +/-4° TOTAL ANGULAR DISPLACEMENT
 (0.4° PER REVOLUTION)
 2 PLACES
 2.0mm [5/64in] HEX

φ 2.01mm [0.079in] 1.8mm [0.07in]
 ALIGNMENT PIN FEATURES
 4 PLACES (2 @ 90)

ACCEPTS φ 50.8mm [2.00in] OPTICS
 φ 48.8mm [1.92in] CLEAR APERTURE
 SM2 (2.035-40) SERIES
 1 PCS SM2R INCLUDED



M4 COUNTERBORE
 2 PLACES



DRAWING PROJECTION			LBTEK			
NAME	DATE	MT-AM2T3				
DRAWN	ZLI	DEC./16th/23	HEX DRIVE MIRROR MOUNT FOR φ 50.8mm OPTICS, MTHIGH STABILITY SERIES			
APPROVAL	HDE	DEC./16th/23	MATERIAL	WEIGHT	SCALE	REV
FOR INFORMATION ONLY NOT FOR MANUFACTURING PURPOSES			N/A	0.394 Kg	1:1.5	B