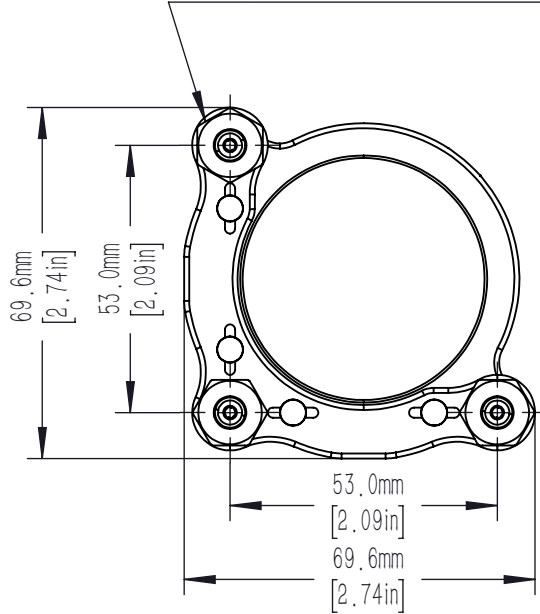
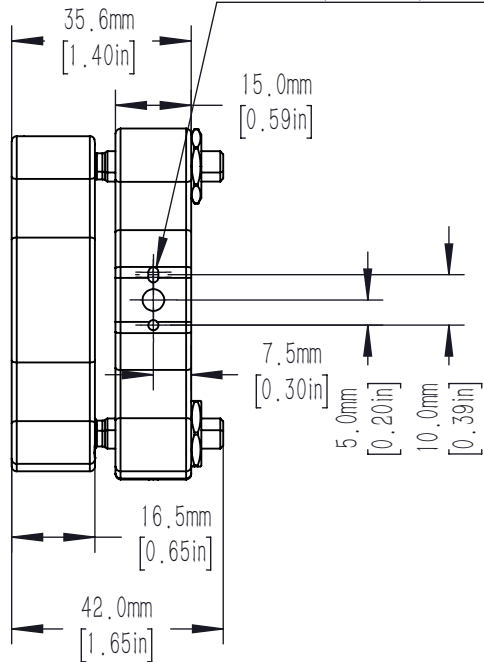


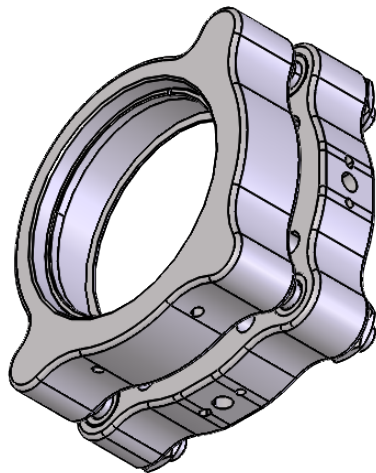
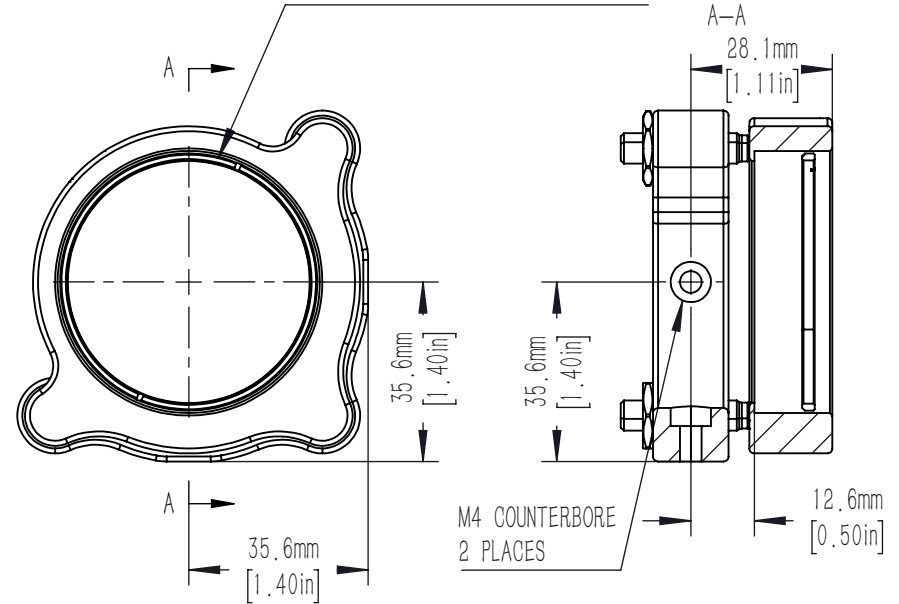
M6X0.25 ADJUSTER SCREWS
 PROVIDES +/-4° TOTAL ANGULAR DISPLACEMENT
 (0.4° PER REVOLUTION)
 3 PLACES
 2.0mm [5/64in] HEX



$\phi 2.01\text{mm}$ [0.079in] $\nabla 1.8\text{mm}$ [0.07in]
 ALIGNMENT PIN FEATURES
 4 PLACES (2 @ 90°)



ACCEPTS $\phi 50.8\text{mm}$ [2.00in] OPTICS
 $\phi 48.8\text{mm}$ [1.92in] CLEAR APERTURE
 SM2 (2.035-40) SERIES
 1 PCS SM2R INCLUDED



DRAWING PROJECTION			LBTEK			
	NAME	DATE				
DRAWN	ZLI	DEC./16th/23	HEX DRIVE MIRROR MOUNT FOR $\phi 50.8\text{mm}$ OPTICS, MTHIGH STABILITY SERIES			
APPROVAL	HDE	DEC./16th/23	MATERIAL	WEIGHT	SCALE	REV
FOR INFORMATION ONLY NOT FOR MANUFACTURING PURPOSES			N/A	0.378 Kg	1:1.5	B