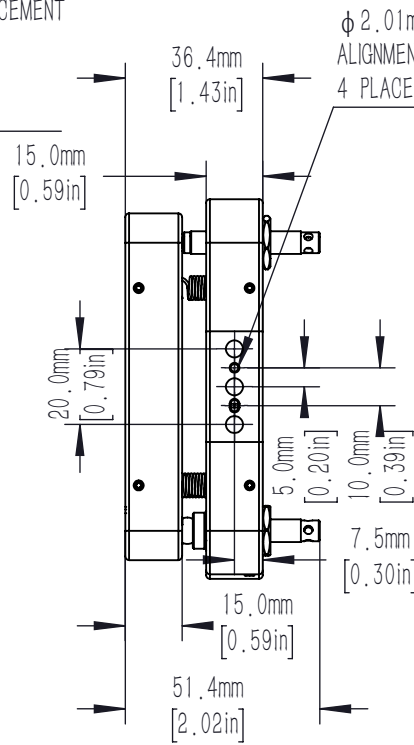
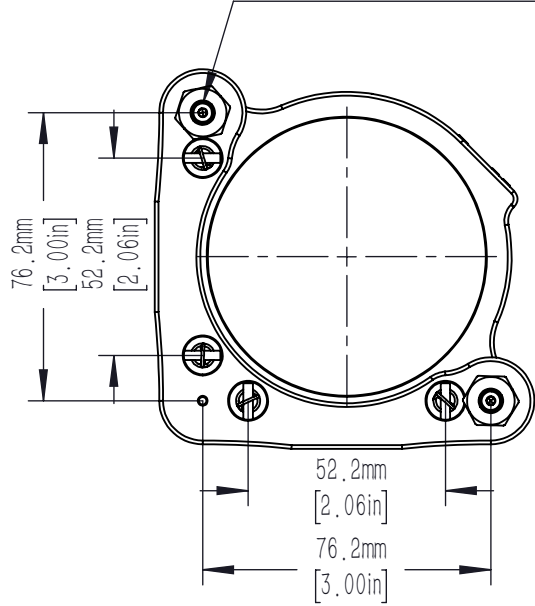


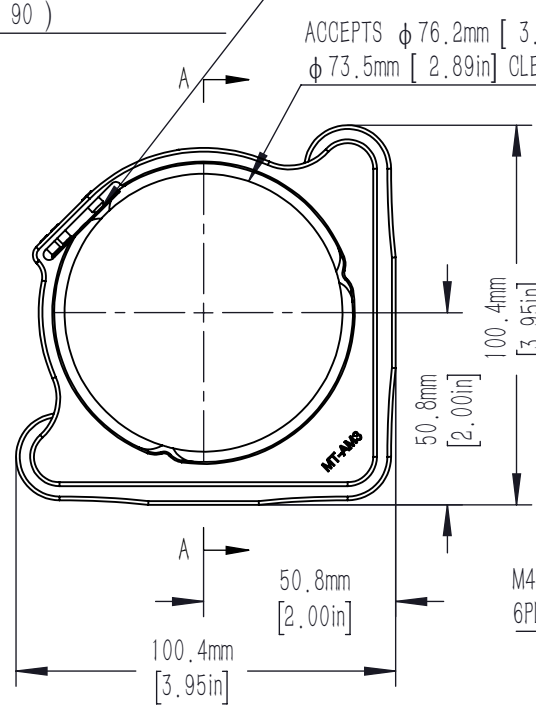
M6X0.25 ADJUSTER SCREWS PROVIDES
 PROVIDE +/-4° TOTAL ANGULAR DISPLACEMENT
 (0.4° PER REVOLUTION)
 3 PLACES
 2.0mm [5/64in] HEX



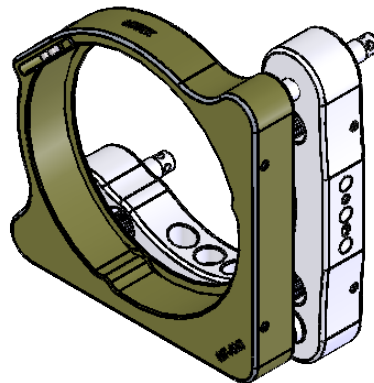
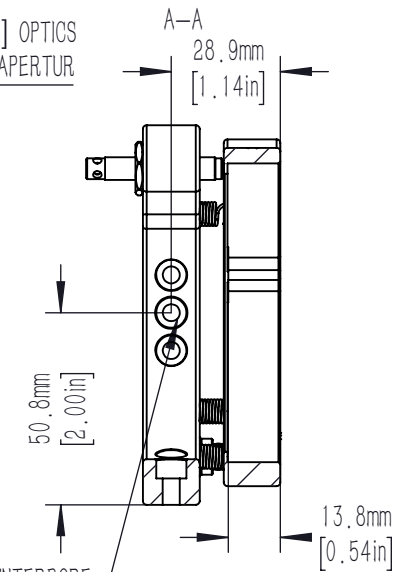
$\phi 2.01\text{mm}$ [0.079in] 3mm [0.12in] DEEP
 ALIGNMENT PIN FEATURES
 4 PLACES (2 @ 90°)

FLEXURE SPRING OPTIC RETAINING MECHANISM

ACCEPTS $\phi 76.2\text{mm}$ [3.00in] OPTICS
 $\phi 73.5\text{mm}$ [2.89in] CLEAR APERTURE



M4 COUNTERBORE
 6 PLACES



DRAWING PROJECTION			LBTEK			
NAME	DATE	MT-AM3				
DRAWN	PCHEN	AUG./8th/25	HEX DRIVE MIRROR MOUNT FOR $\phi 76.2\text{mm}$ OPTICS, MTHIGH STABILITY SERIES			
APPROVAL	YHLI	AUG./8th/25	MATERIAL	WEIGHT	SCALE	REV
FOR INFORMATION ONLY NOT FOR MANUFACTURING PURPOSES			N/A	0.446 Kg	1:2	A