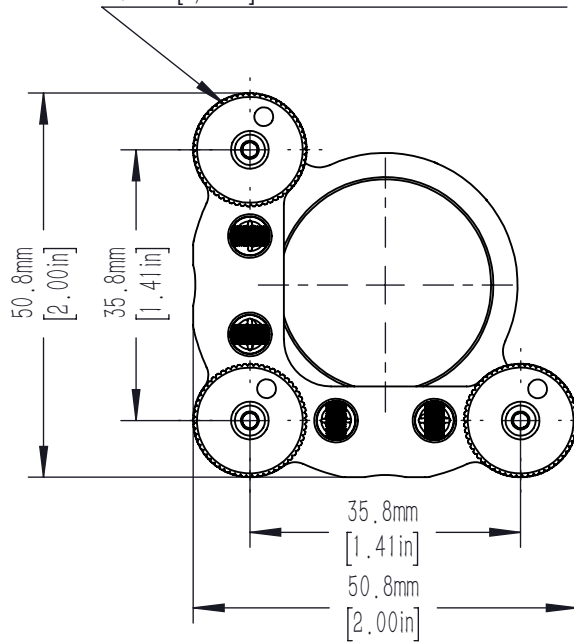
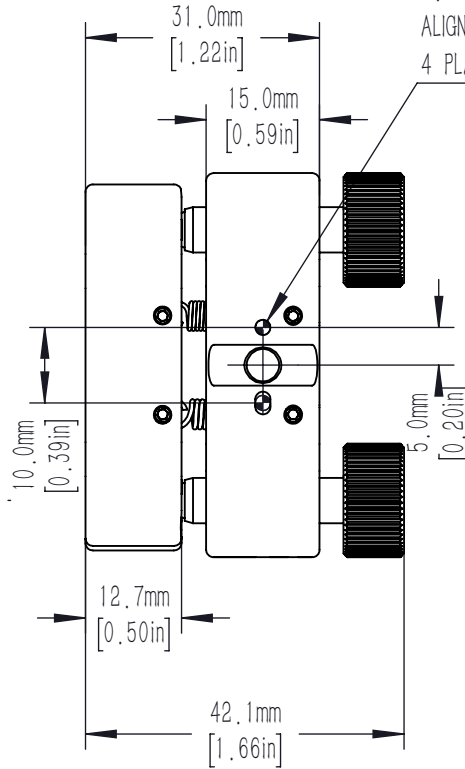


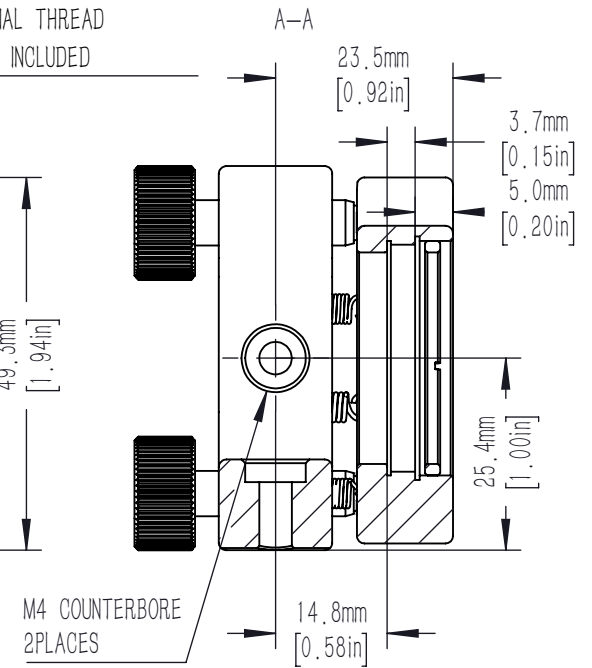
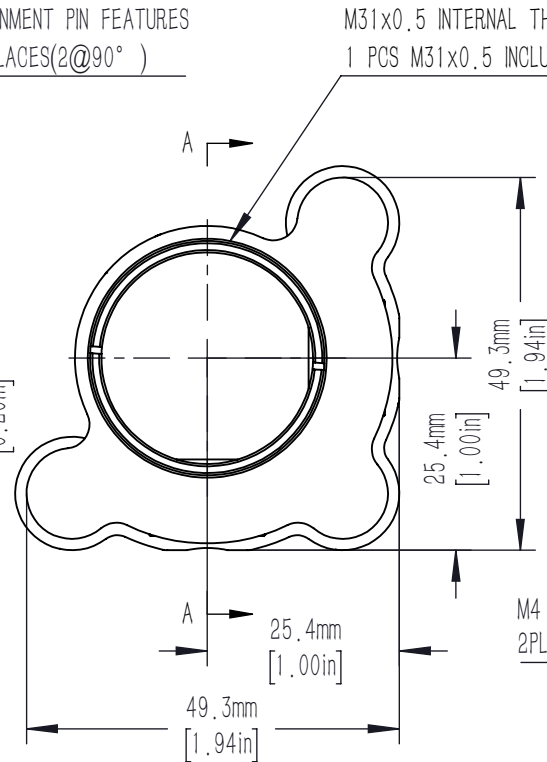
M6X0.25 ADJUSTER SCREWS
 PROVIDES +/-4° TOTAL ANGULAR DISPLACEMENT
 (0.4° PER REVOLUTION)
 3PLACES
 2.0mm [5/64in] HEX



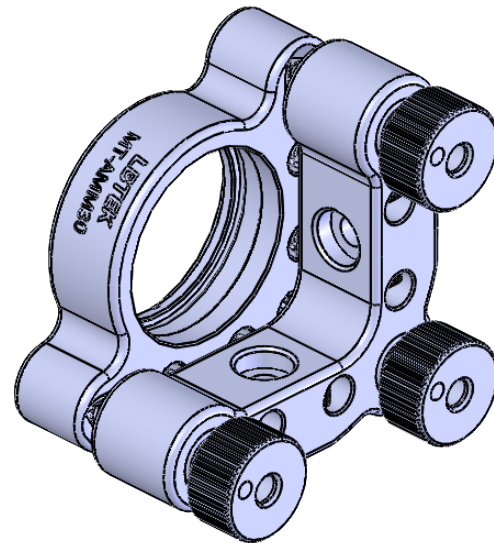
φ2.01mm [0.079in]
 1.91mm [0.075in] DEEP
 ALIGNMENT PIN FEATURES
 4 PLACES(2@90°)



ACCEPTS φ30.0mm [1.18in] OPTICS
 φ28mm [1.10in] CLEAR APERTURE
 M31x0.5 INTERNAL THREAD
 1 PCS M31x0.5 INCLUDED



M4 COUNTERBORE
 2PLACES



DRAWING PROJECTION			LBTEK			
NAME	DATE	MT-AMM30				
DRAWN	PCHEN	AUG./6th/25	HEX DRIVE MIRROR MOUNT FOR φ30mm OPTICS, MTHIGH STABILITY SERIES			
APPROVAL	YHLI	AUG./6th/25	MATERIAL	WEIGHT	SCALE	REV
FOR INFORMATION ONLY NOT FOR MANUFACTURING PURPOSES			N/A	0.260 Kg	1:1	A