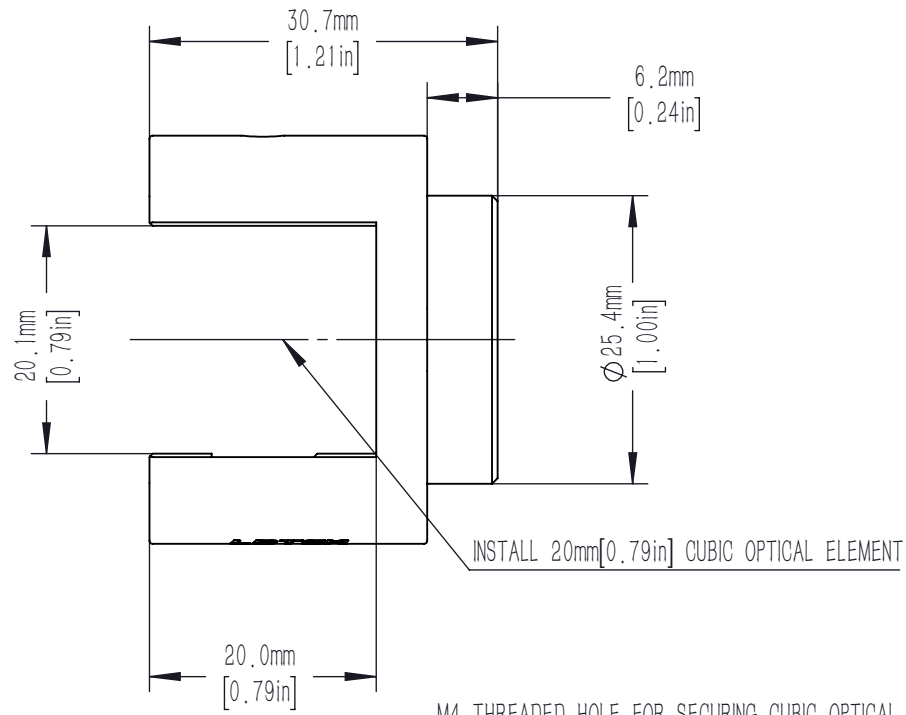
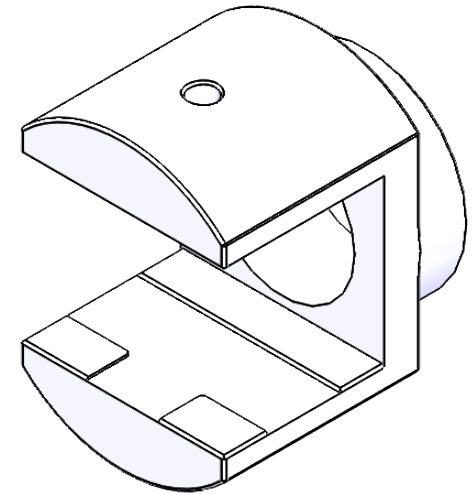
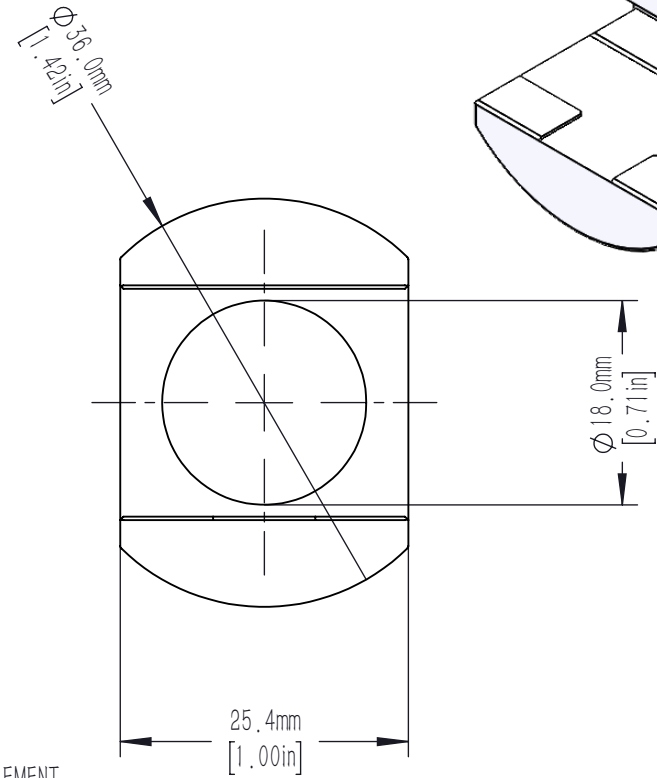
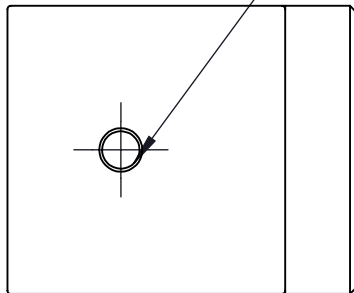


LBTEK
MT-CSB08



M4 THREADED HOLE FOR SECURING CUBIC OPTICAL ELEMENT



DRAWING PROJECTION			LBTEK			
	NAME	DATE	MT-CSB08			
DRAWN	ZZH	DEC./26th/23	20 mm CUBIC BEAM SPLITTER BRACKET			
APPROVAL	HDE	DEC./26th/23	MATERIAL	WEIGHT	SCALE	REV
FOR INFORMATION ONLY NOT FOR MANUFACTURING PURPOSES			N/A	0.084 Kg	1.5:1	B