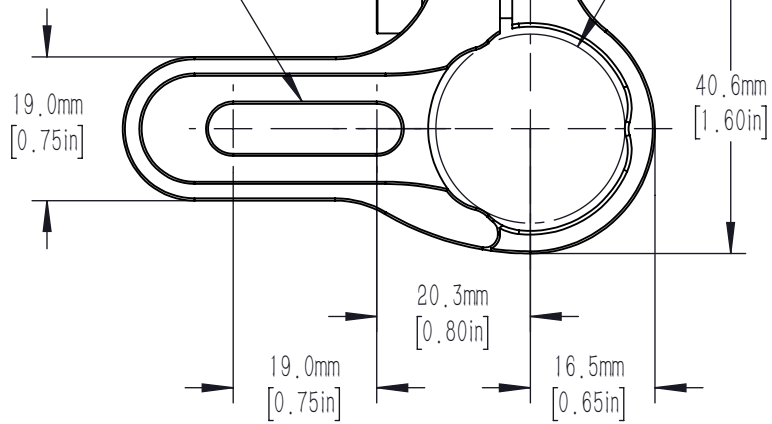
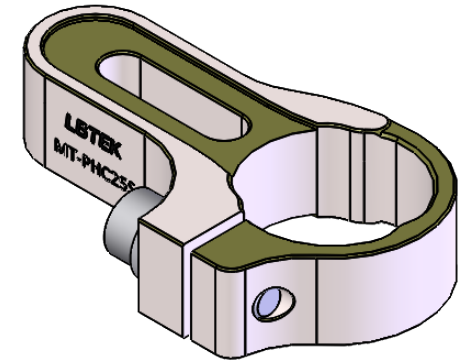
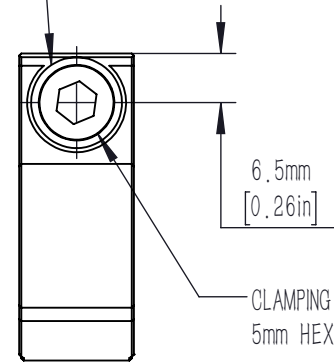


M6 CLEARANCE SLOT FOR
FLAT WASHER AND CAP SCREW



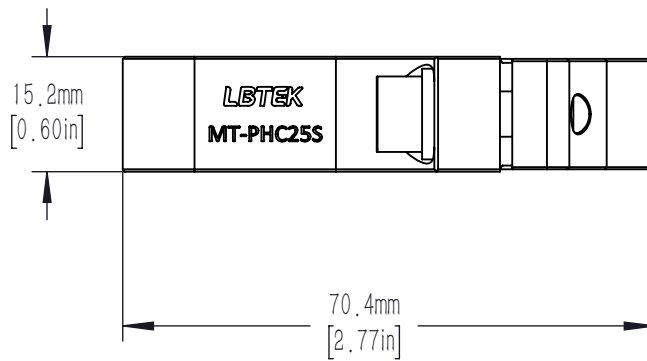
STAINLESS STEEL WASHER

3 LINE CONTACT BORE
ACCEPTS ϕ 25.0mm POSTS
[0.98in]



6.5mm
[0.26in]

CLAMPING ACTUATOR SCREW
5mm HEX



DRAWING PROJECTION			LBTEK			
NAME	DATE	MT-PHC25S				
DRAWN	YCH	APR./1st/21	Ø25mm POST M6 CLAMPING ARM, MT HIGH STABILITY SERIES			
APPROVAL	WCH	APR./1st/21	MATERIAL	WEIGHT	SCALE	REV
FOR INFORMATION ONLY NOT FOR MANUFACTURING PURPOSES			N/A	0.117 Kg	1:1	B