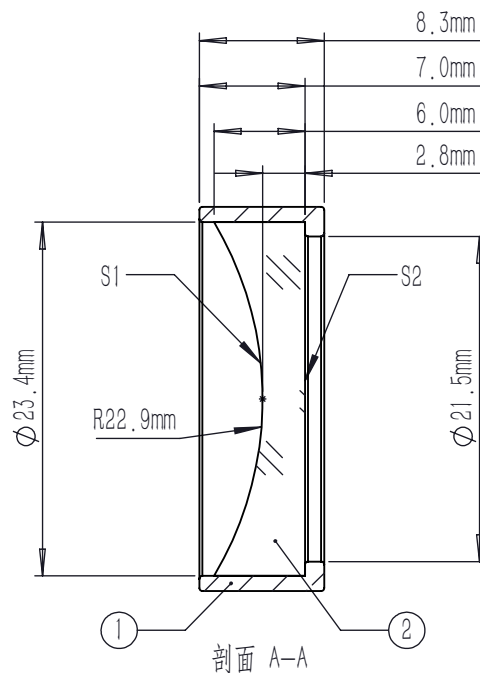
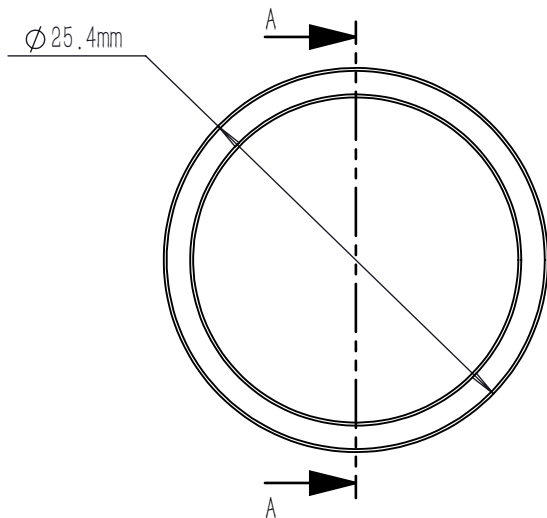


	PART DESCRIPTION	MATERIAL
①	LENS MOUNT	6061-T6
②	ROUND CYLINDRICAL LENS	UVFS



NOTES:

- DESIGN WAVELENGTH: 587.6 nm
- OPERATION WAVELENGTH: 190 nm-2.1 μm
- DIAMETER TOLERANCE: +0.0/-0.1 mm
- THICKNESS TOLERANCE: ± 0.1 mm
- FOCAL LENGTH: $f = -50 \text{ mm} \pm 1\%$
- BACK FOCAL LENGTH(REF): $bf = -51.9$ mm
- CLEAR APERTURE: $> 90\%$ CA
- SURFACE QUALITY(S/D)(S1, S2): 40/20
- SURFACE FLATNESS(S2): $\lambda/2 @ 632.8$ nm
- SURFACE POWER(S1): $3 \lambda/2 @ 632.8$ nm
- SURFACE IRREGULARITY(S1): $\lambda/4 @ 632.8$ nm
- CENTRATION: < 3 arcmin
- CHAMFER: < 0.2 mm, 45°
- COATING(S1, S2): UNCOATED

DRAWING PROJECTION			LBTEK			
	NAME	DATE				
DRAWN	SHAN	MAY./7th/25	PLANO CONCAVE CYLINDRICAL LENS			
APPROVAL	WCHENG	MAY./7th/25	MATERIAL	WEIGHT	SCALE	REV
FOR INFORMATION ONLY NOT FOR MANUFACTURING PURPOSES			N/A	5.31g	2:1	A