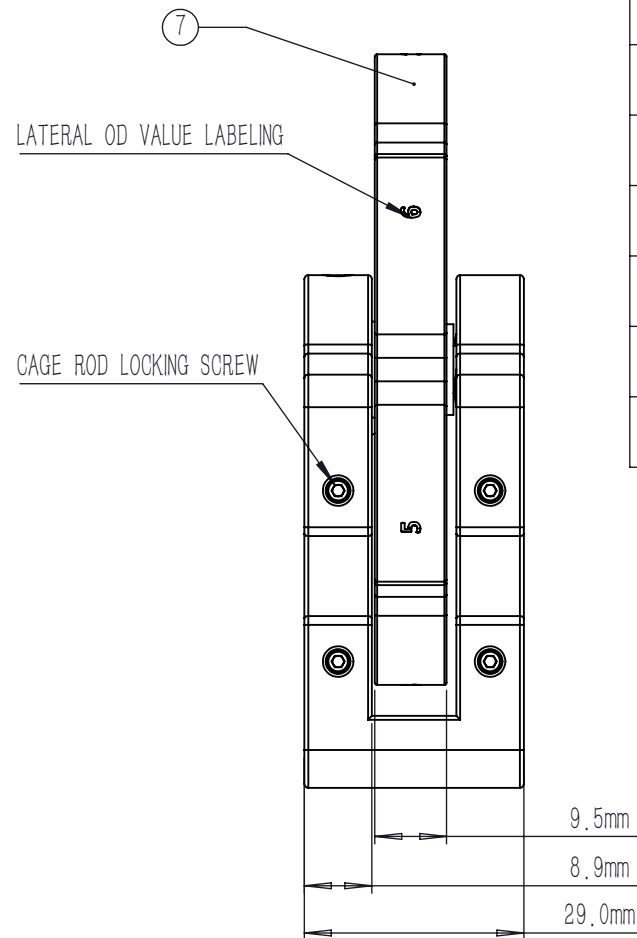
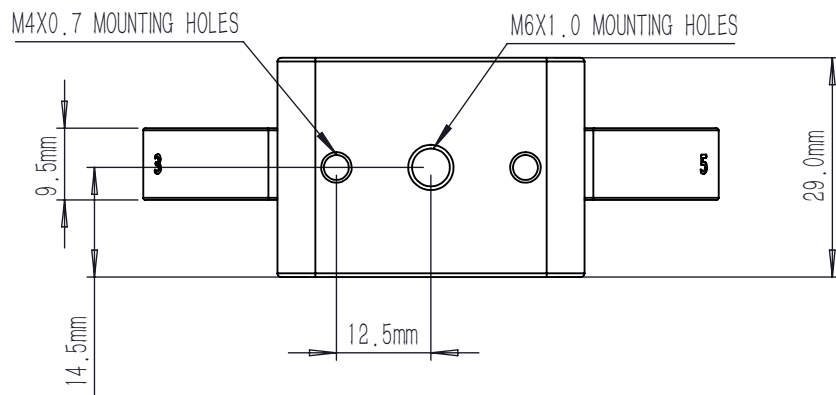


Ø6.0mm HOLE  
7.9mm DEEP  
USE WITH MOP RODS (NOT INCLUDED)



NUMBER	PART DESCRIPTION
①	NDFA10-10-A
②	NDFA10-20-A
③	NDFA10-30-A
④	NDFA10-40-A
⑤	NDFA10-50-A
⑥	NDFA10-60-A
⑦	FWM6C

DRAWING PROJECTION				<h1 style="color: red; margin: 0;">LBTEK</h1>			
	NAME	DATE	NDFAFWM6C-1060-A				
DRAWN	SHAN	DEC./25th/25	ABSORPTIVE NEUTRAL DENSITY FILTER WHEEL				
APPROVAL	WCHENG	DEC./25th/25	MATERIAL	WEIGHT	SCALE	REV	
FOR INFORMATION ONLY NOT FOR MANUFACTURING PURPOSES			N/A	163.52g	1:1	A	