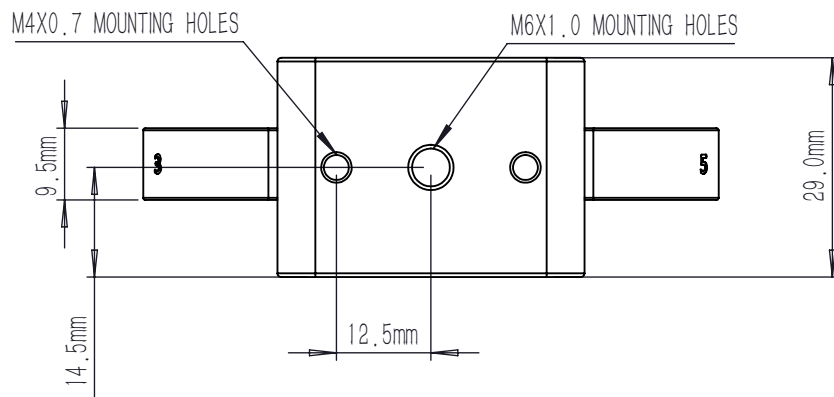


NUMBER	PART DESCRIPTION
①	NDFA10-10-NIR
②	NDFA10-20-NIR
③	NDFA10-30-NIR
④	NDFA10-40-NIR
⑤	NDFA10-50-NIR
⑥	NDFA10-60-NIR
⑦	FWM6C



DRAWING PROJECTION				<h1 style="color: red; margin: 0;">LBTEK</h1>			
	NAME	DATE	NDFAFWM6C-1060-NIR				
DRAWN	SHAN	DEC./25th/25	ABSORPTIVE NEUTRAL DENSITY FILTER WHEEL				
APPROVAL	WCHENG	DEC./25th/25	MATERIAL	WEIGHT	SCALE	REV	
FOR INFORMATION ONLY NOT FOR MANUFACTURING PURPOSES			N/A	163.52g	1:1	A	