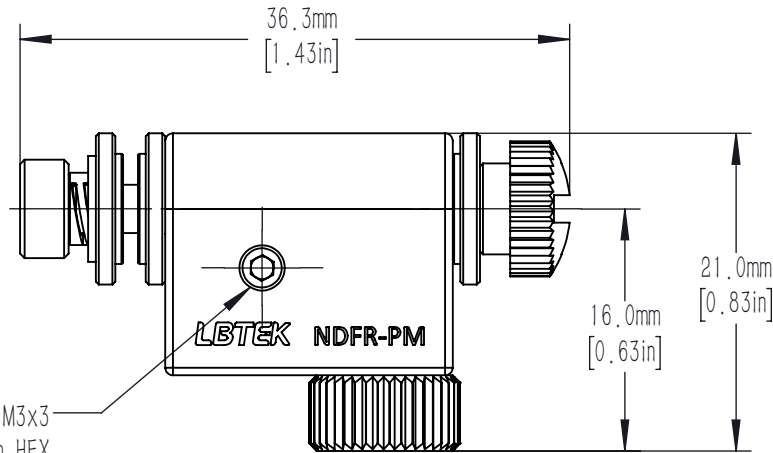
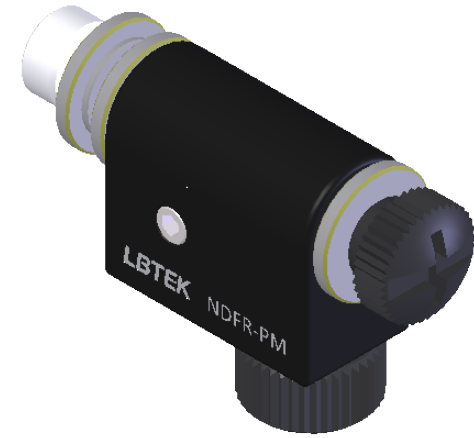
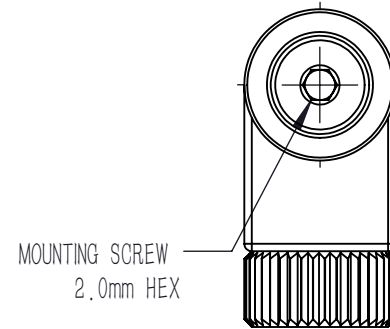


M4 x 0.7 TAPPED HOLE
5.5mm DEEP



LOCK SCREW M3x3
1.5mm HEX



MOUNTING SCREW
2.0mm HEX

| | | | | | | |
|--|------|--------------|-----------------------------------|----------|-------|-----|
| DRAWING PROJECTION | | | LBTEK | | | |
| | NAME | DATE | NDFR-PM | | | |
| DRAWN | YCH | JAN./28th/21 | NEUTRAL DENSITY FILTER POST MOUNT | | | |
| APPROVAL | WZC | JAN./28th/21 | MATERIAL | WEIGHT | SCALE | REV |
| FOR INFORMATION ONLY NOT FOR MANUFACTURING PURPOSES | | | N/A | 0.015 Kg | 2:1 | B |