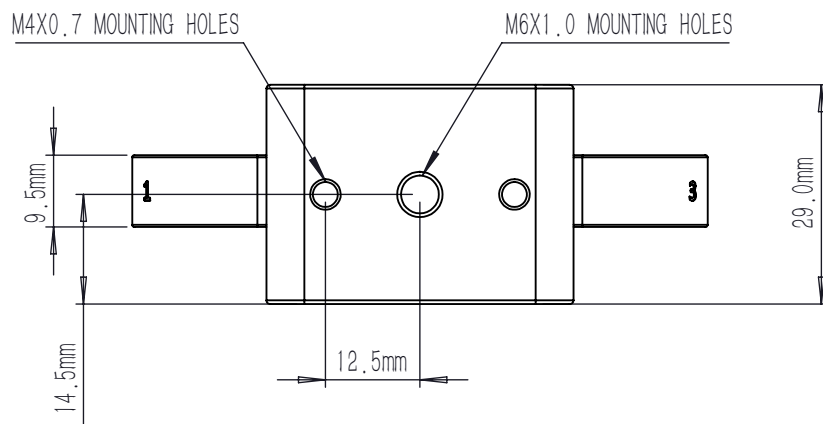


NUMBER	PART DESCRIPTION
①	NDFR10-03-C
②	NDFR10-05-C
③	NDFR10-1-C
④	NDFR10-2-C
⑤	NDFR10-3-C
⑥	NDFR10-4-C
⑦	FWM6C



DRAWING PROJECTION				<h1 style="color: red; margin: 0;">LBTEK</h1>			
	NAME	DATE	NDFRFWM6C-0340-C				
DRAWN	SHAN	DEC./25th/25	REFLECTIVE NEUTRAL DENSITY FILTER WHEEL				
APPROVAL	WCHENG	DEC./25th/25	MATERIAL	WEIGHT	SCALE	REV	
FOR INFORMATION ONLY NOT FOR MANUFACTURING PURPOSES			N/A	163.52g	1:1	A	