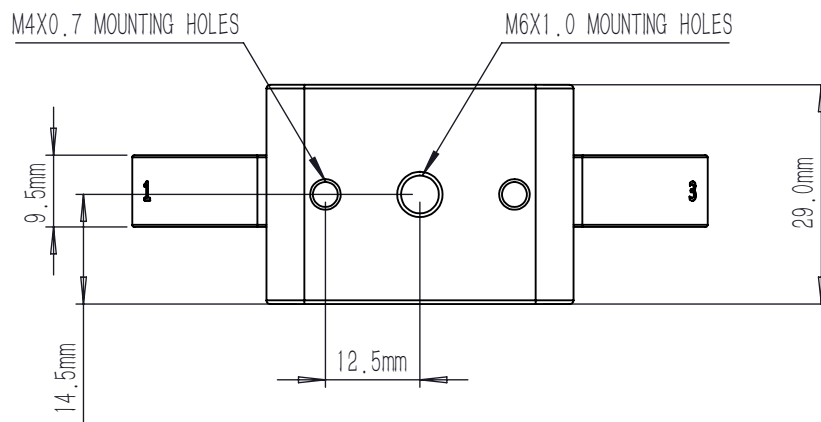


NUMBER	PART DESCRIPTION
①	NDFR10-03
②	NDFR10-05
③	NDFR10-10
④	NDFR10-20
⑤	NDFR10-30
⑥	NDFR10-40
⑦	FWM6C



DRAWING PROJECTION							
	NAME	DATE	NDFFR FWM6C-0340				
DRAWN	SHAN	DEC./25th/25	REFLECTIVE NEUTRAL DENSITY FILTER WHEEL				
APPROVAL	WCHENG	DEC./25th/25	MATERIAL	WEIGHT	SCALE	REV	
FOR INFORMATION ONLY NOT FOR MANUFACTURING PURPOSES			N/A	163.52g	1:1	A	