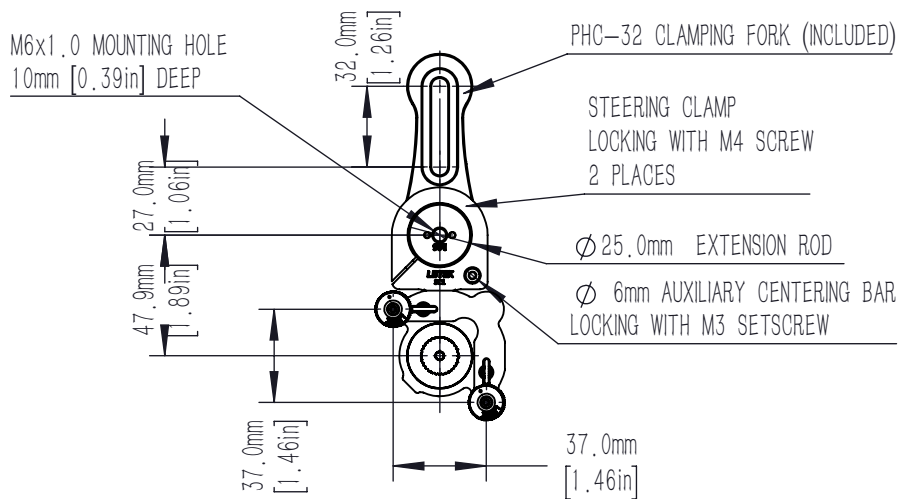
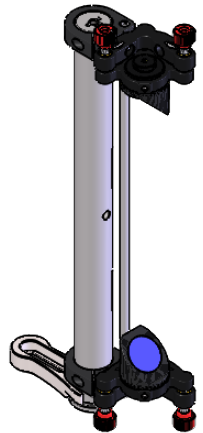


VIEW SCALE  
1.5



DRAWING PROJECTION			<b>LBTEK</b>			
	NAME	DATE				
DRAWN	ZHE	AUG./21th/20	OPTIC BEAM STEERING			
APPROVAL	YCH	AUG./21th/20	MATERIAL	WEIGHT	SCALE	REV
FOR INFORMATION ONLY NOT FOR MANUFACTURING PURPOSES			N/A	1.644 Kg	1.3	B