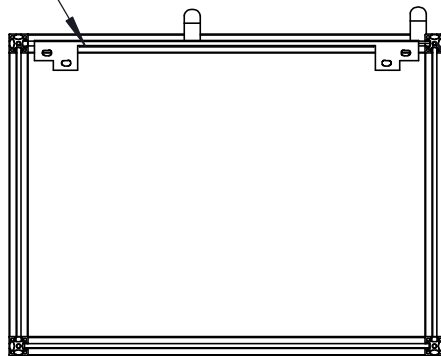


↑ A

VIEW A

SLIDING DOOR GUIDE RAIL



MOUNTS TO FOUR COUNTERBORD HOLES IN THE MBB4560 (MBB4560 NOT INCLUDED)

DRAWING PROJECTION			<b>LBTEK</b>			
	NAME	DATE				
DRAWN	CZH	SEPT./17th/22	PLEXIGLAS COVER			
APPROVAL	ZXU	SEPT./17th/22	MATERIAL	WEIGHT	SCALE	REV
FOR INFORMATION ONLY NOT FOR MANUFACTURING PURPOSES			N/A	13.277Kg	1:10	B