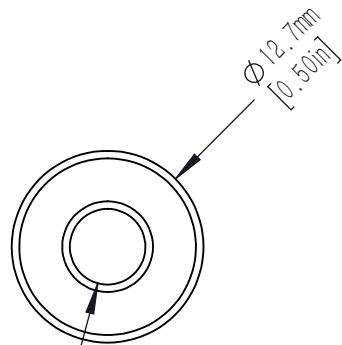
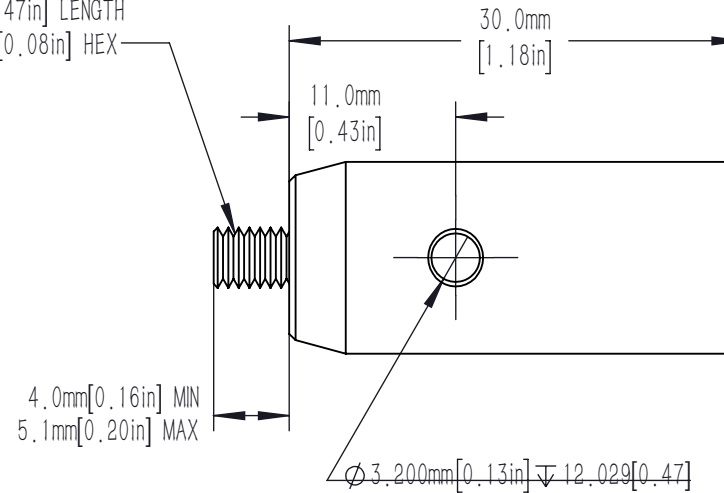


REMOVABLE M4X0.7 SET SCREW(INCLUDED)  
 12mm[0.47in] LENGTH  
 2.0mm[0.08in] HEX



M6X1.0 MOUNTING HOLE  
 9.5mm [0.37in] DEEP



DRAWING PROJECTION			<b>LBTEK</b>			
	NAME	DATE				
DRAWN	HHW	Feb./1th/21	Φ12.7mm EXTENSION ROD			
APPROVAL	zcp	Feb./1th/21	MATERIAL	WEIGHT	SCALE	REV
FOR INFORMATION ONLY NOT FOR MANUFACTURING PURPOSES			N/A	Kg	2:1	A