

REMOVABLE M4X0.7 SET SCREW (INCLUDED)  
 12mm [0.47in] LENGTH  
 2.0mm [0.08in] HEX

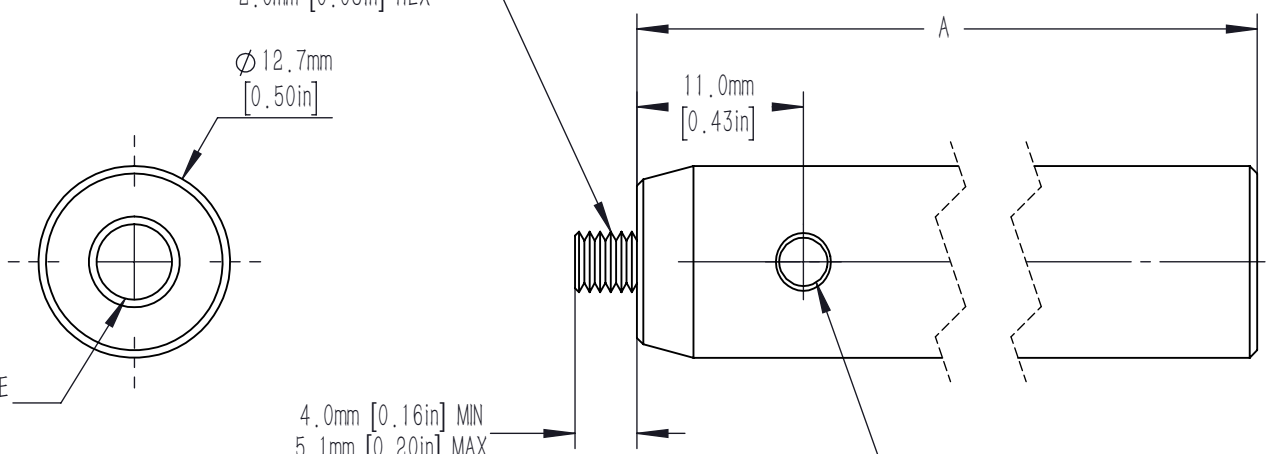
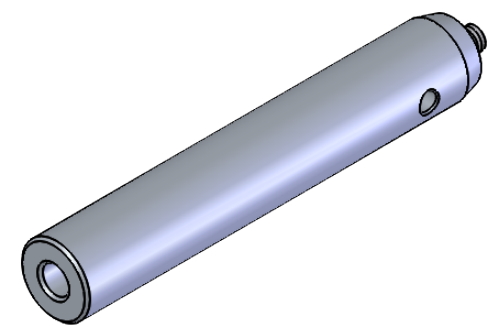
Ø 12.7mm  
 [0.50in]

M6X1.0 MOUNTING HOLE  
 9.5mm [0.37in] DEEP

4.0mm [0.16in] MIN  
 5.1mm [0.20in] MAX

11.0mm  
 [0.43in]

Ø 3.2mm [0.13in] THRU HOLE  
 FOR 2mm BALL DRIVER OR HEX KEY  
 PROVIDES EXTRA TORQUE WHEN  
 TIGHTENING/REMOVING MOUNTS



NO.	ITEM	A LENGTH/mm[in]	WEIGHT/kg
1	OP-25	25[0.98]	0.02
2	OP-40	40[1.57]	0.03
3	OP-50	50[1.97]	0.05
4	OP-75	75[2.95]	0.07
5	OP-100	100[3.94]	0.09
6	OP-150	150[5.91]	0.14
7	OP-200	200[7.87]	0.18

DRAWING PROJECTION			<b>LBTEK</b>			
	NAME	DATE				
DRAWN	ZYANG	JUN./25th/19	Ø 12.7mm EXTENSION ROD			
APPROVAL	LDAI	JUN./25th/19	MATERIAL	WEIGHT	SCALE	REV
FOR INFORMATION ONLY NOT FOR MANUFACTURING PURPOSES			STAINLESS STEEL	* Kg	1:1	B