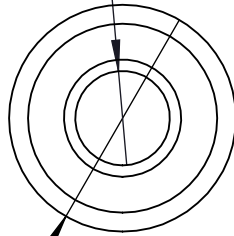


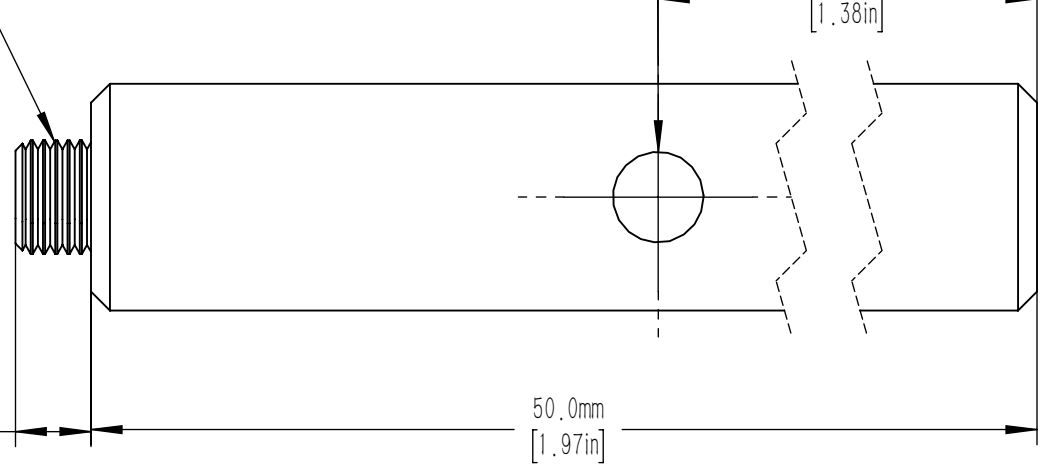
M3 - 6H ∇ 3.000mm [0.12in]
 ϕ 2.500mm [0.10in] ∇ 4.000mm [0.16in]

ϕ 6.0mm
 [0.24in]



REMOVABLE M3x0.5 SET SCREW (INCLUDED)
 6mm [0.24in] LENGTH
 1.5mm [0.06in] HEX

2.0mm [0.08in] MIN
 3.0mm [0.12in] MAX



ϕ 2.4mm [0.09in] THRU HOLE
 FOR 2mm BALL DRIVER OR HEX KEY
 PROVIDES EXTRA TORQUE WHEN
 TIGHTENING/REMOVING MOUNTS

35.0mm
 [1.38in]

50.0mm
 [1.97in]

DRAWING PROJECTION			LBTEK			
	NAME	DATE				
DRAWN	ZHL	MAR./6th/20	ϕ 6 mm EXTENSION ROD			
APPROVAL	HDE	MAR./6th/20	MATERIAL	WEIGHT	SCALE	REV
FOR INFORMATION ONLY NOT FOR MANUFACTURING PURPOSES			N/A	0.011Kg	5:1	A