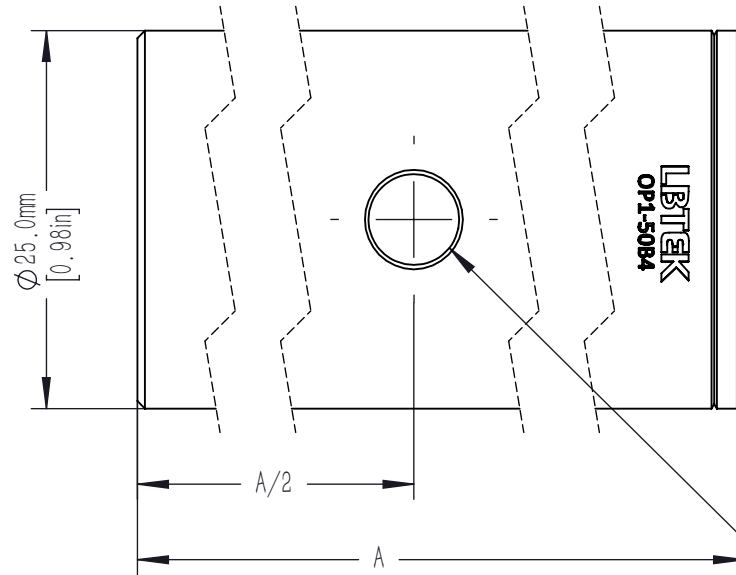
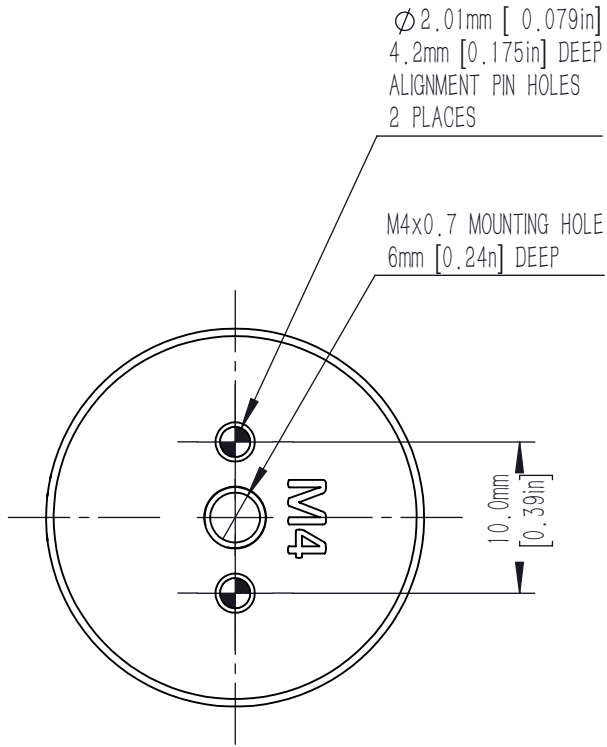
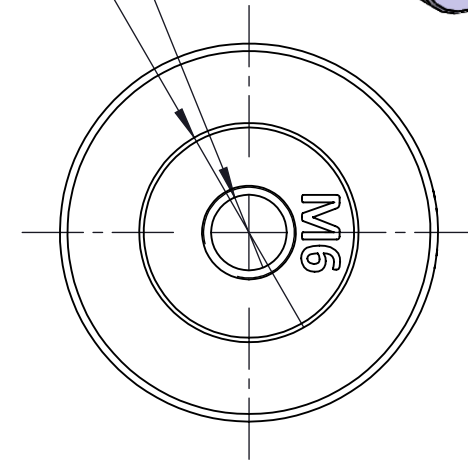
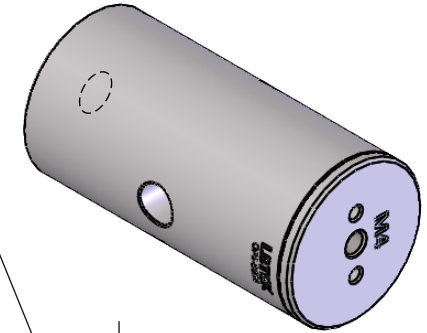


VIEW SCALE 1:1



M6x1.0 MOUNTING HOLE  
10mm [0.39in] DEEP

$\varnothing 14.5\text{mm}$ [0.57in]  
 0.3mm[0.01in] DEEP



NO.	ITEM	A LENGTH/mm[in]	WEIGHT/kg	8	9	10	11	12	13	14	15	16																			
				OP1-20B4	20[0.78]	0.07	OP1-30B4	30[1.18]	0.11	OP1-40B4	40[1.57]	0.15	OP1-45B4	45[1.77]	0.17	OP1-55B4	55[2.17]	0.21	OP1-60B4	60[2.36]	0.23	OP1-70B4	70[2.75]	0.27	OP1-80B4	80[3.15]	0.31	OP1-85B4	85[3.35]	0.33	
1	OP1-25B4	25[0.98]	0.09																												
2	OP1-38B4	38[1.50]	0.14																												
3	OP1-50B4	50[1.97]	0.19																												
4	OP1-75B4	75[2.95]	0.29																												
5	OP1-100B4	100[3.94]	0.39																												
6	OP1-200B4	200[7.87]	0.79																												
7	OP1-300B4	300[11.81]	1.19																												

DRAWING PROJECTION			<b>LBTEK</b>				
		NAME	DATE	OP1-xxB4			
DRAWN		SSO	MAR./6th/24	$\varnothing 25\text{mm}$ EXTENSION ROD			
APPROVAL		YUL	MAR./6th/24	MATERIAL	WEIGHT	SCALE	REV
FOR INFORMATION ONLY NOT FOR MANUFACTURING PURPOSES				STAINLESS STEEL	* Kg	2:1	D