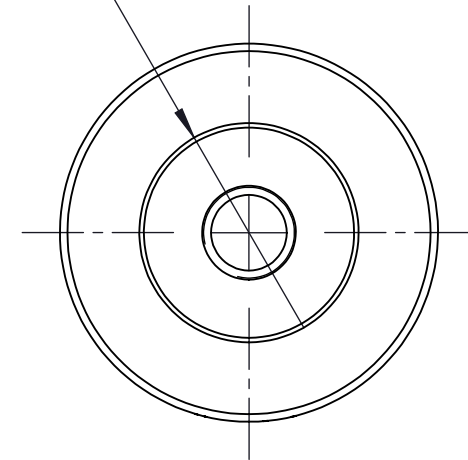


$\varnothing 6\text{mm}$  [0.24in]  
 6.5mm [0.26in] DEEP  
 2 PLACES  
 FOR 5mm BALL DRIVER OR HEX KEY  
 PROVIDES EXTRA TORQUE WHEN  
 TIGHTENING/REMOVING MOUNTS

$\varnothing 14.5\text{mm}$  [0.57in]  
 0.3mm [0.01in] DEEP



DRAWING PROJECTION			<b>LBTEK</b>			
	NAME	DATE	OP1-12.5B6			
DRAWN	ZHE	NOV./18th/19	$\varnothing 25\text{mm}$ EXTENSION ROD			
APPROVAL	ZYANG	NOV./18th/19	MATERIAL	WEIGHT	SCALE	REV
FOR INFORMATION ONLY NOT FOR MANUFACTURING PURPOSES			STAINLESS STEEL	0.04 Kg	2:1	B