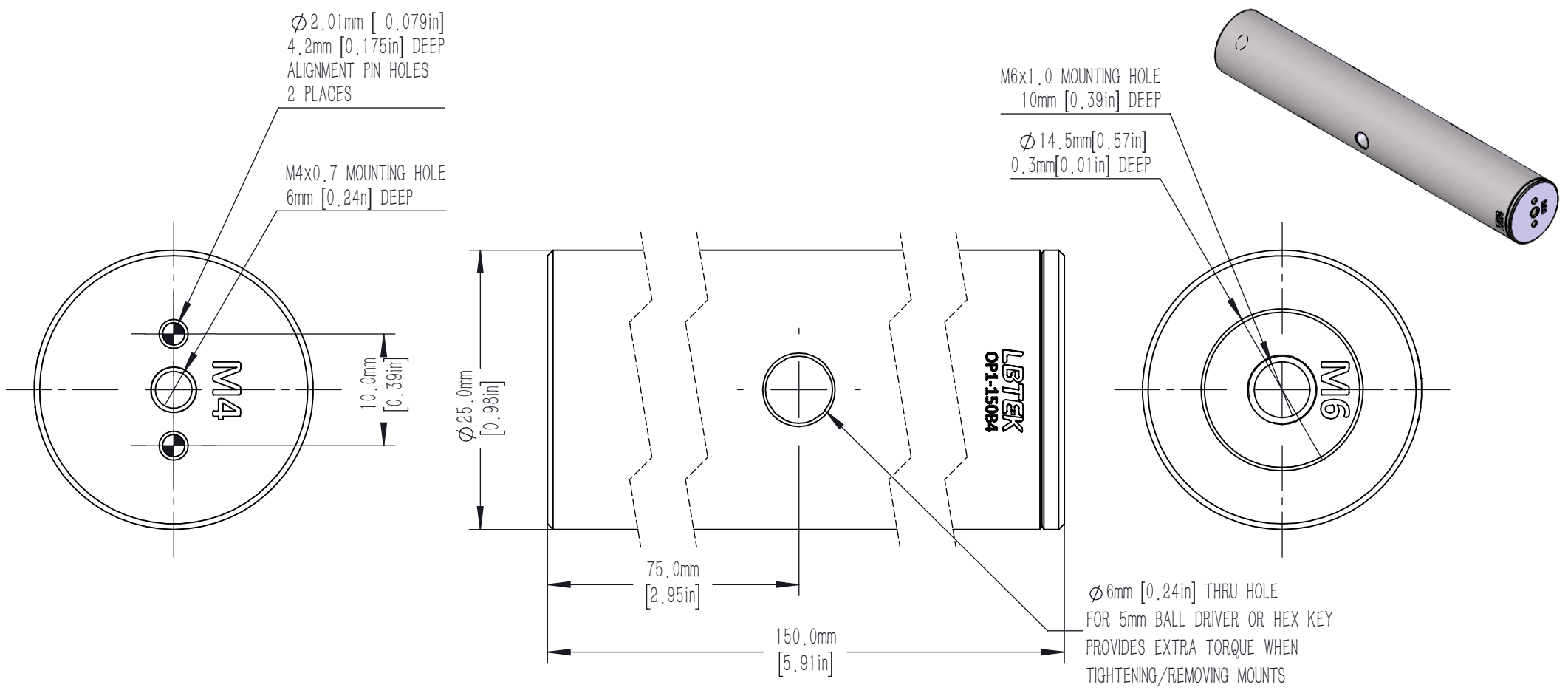


VIEW SCALE 1:1



DRAWING PROJECTION			<b>LBTEK</b>			
NAME	DATE	OP1-150B4				
DRAWN	ZXU	JUNE/3rd/21	$\varnothing 25\text{mm}$ EXTENSION ROD			
APPROVAL	YCH	JUNE/3rd/21	MATERIAL	WEIGHT	SCALE	REV
FOR INFORMATION ONLY NOT FOR MANUFACTURING PURPOSES			STAINLESS STEEL	0.59 Kg	2:1	B