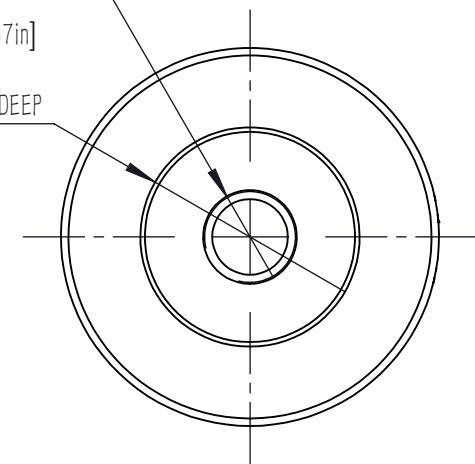


M6x1.0 MOUNTING HOLE
 10mm [0.39in] DEEP

$\varnothing 14.5\text{mm}$ [0.57in]
 [0.57in]
 0.3mm [0.01in] DEEP



NO.	ITEM	A LENGTH/mm[in]	WEIGHT/kg
1	OP1-400B6	400[15.75]	1.57
2	OP1-500B6	500[19.67]	1.98

DRAWING PROJECTION			LBTEK			
NAME	DATE					
			OP1-XXB6			
DRAWN	CZH	APR./7th/21	$\varnothing 25\text{mm}$ EXTENSION ROD			
APPROVAL	YCH	APR./7th/21	MATERIAL	WEIGHT	SCALE	REV
FOR INFORMATION ONLY NOT FOR MANUFACTURING PURPOSES			N/A	* Kg	2:1	B