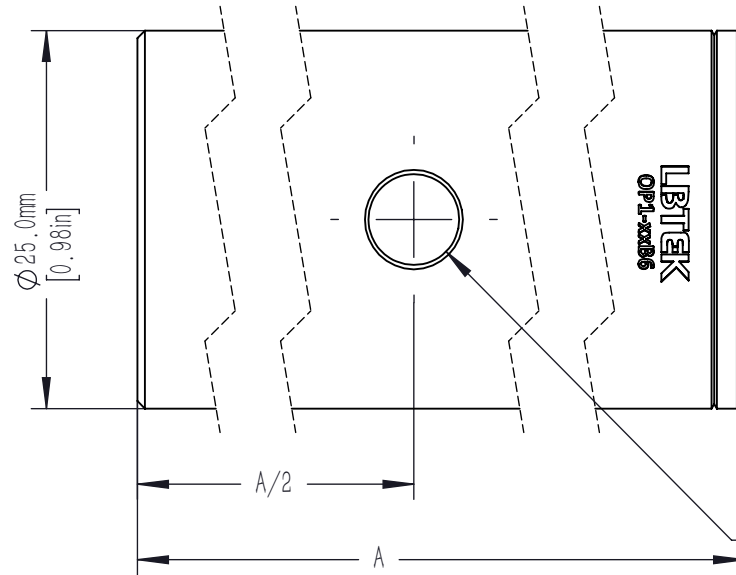
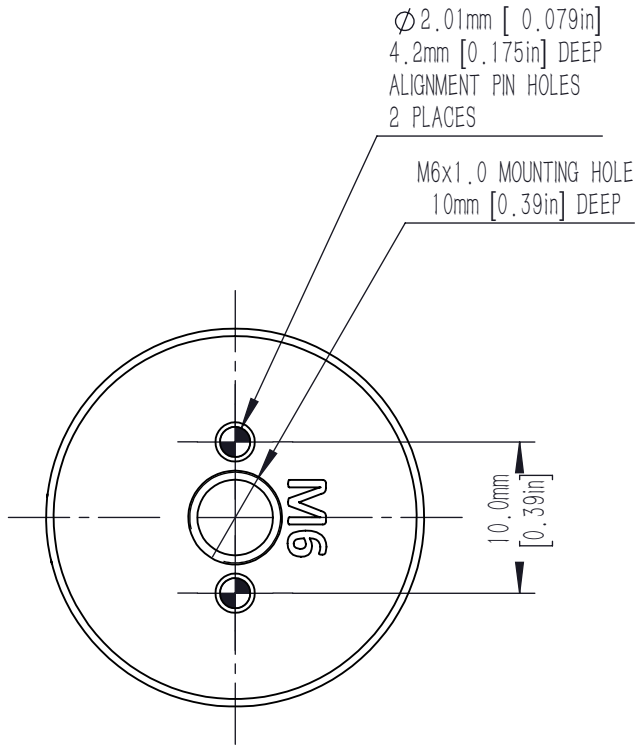
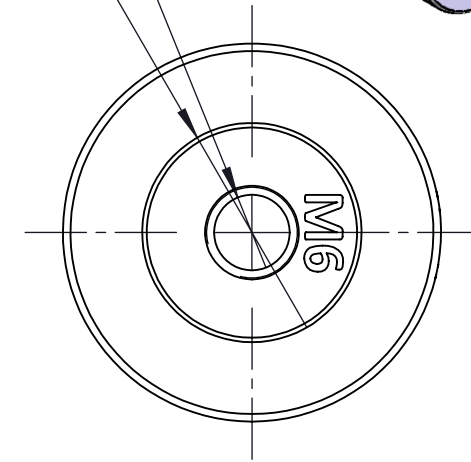
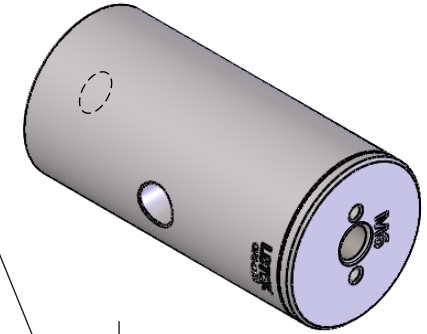


VIEW SCALE 1:1



M6x1.0 MOUNTING HOLE
 10mm [0.39in] DEEP
 $\varnothing 14.5\text{mm}$ [0.57in]
 0.3mm [0.01in] DEEP



NO.	ITEM	A LENGTH/mm[in]	WEIGHT/kg	8	9	10	11	12	13	14	15	16
				20[0.78]	30[1.18]	40[1.57]	45[1.77]	55[2.17]	60[2.36]	70[2.75]	80[3.15]	85[3.35]
1	OP1-25B6	25[0.98]	0.09									
2	OP1-38B6	38[1.50]	0.14									
3	OP1-50B6	50[1.97]	0.19									
4	OP1-75B6	75[2.95]	0.29									
5	OP1-100B6	100[3.94]	0.39									
6	OP1-200B6	200[7.87]	0.79									
7	OP1-300B6	300[11.81]	1.19									

DRAWING PROJECTION			LBTEK			
	NAME	DATE	OP1-xxB6			
DRAWN	SSO	MAR./6th/24	$\varnothing 25\text{mm}$ EXTENSION ROD			
APPROVAL	YUL	MAR./6th/24	MATERIAL	WEIGHT	SCALE	REV
FOR INFORMATION ONLY NOT FOR MANUFACTURING PURPOSES			STAINLESS STEEL	* Kg	2:1	D