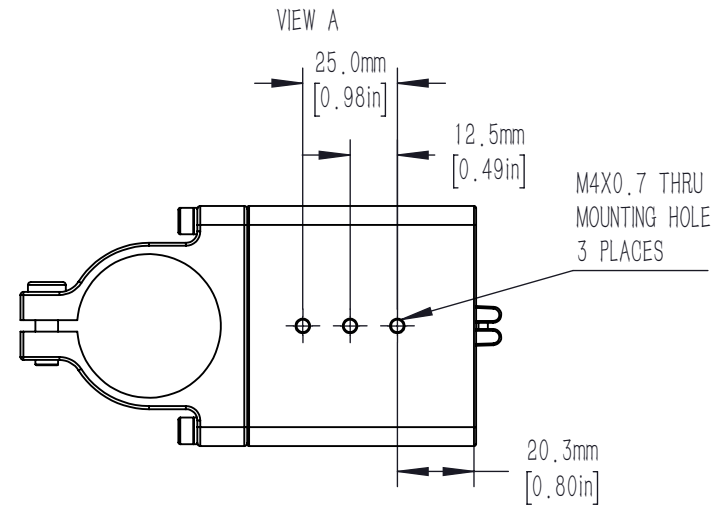
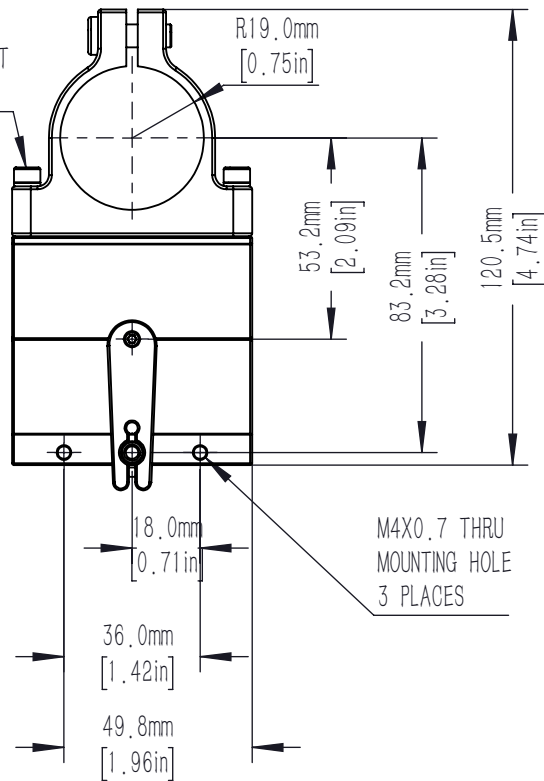


LOCKING SCREWS FOR
±10° COARSE PITCH ADJUSTMENT
3.0mm HEX



DRAWING PROJECTION				<h1 style="color: red; margin: 0;">LBTEK</h1>			
	NAME	DATE					
DRAWN	CZH	MAR./3rd/22		V-TYPE ADAPTER			
APPROVAL	ZXU	MAR./3ed/22		MATERIAL	WEIGHT	SCALE	REV
FOR INFORMATION ONLY NOT FOR MANUFACTURING PURPOSES				N/A	0.430 Kg	1:2	B