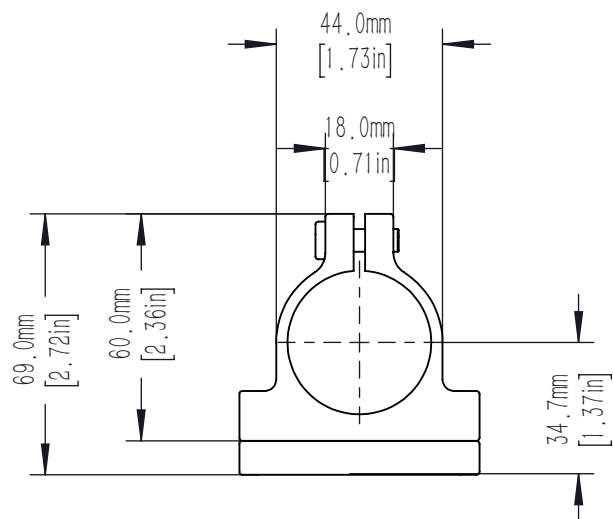
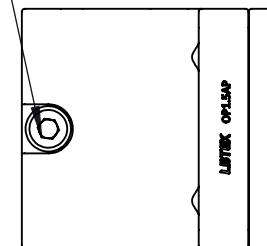


CLAMP LOCKING SCREW
 M6X1.0, 5mm HEX



DRAWING PROJECTION			LBTEK			
	NAME	DATE	OP1.5AP			
DRAWN	CZH	MAR./15th/22	POST CLAMP FOR ϕ 38mm POST			
APPROVAL	ZXU	MAR./15th/22	MATERIAL	WEIGHT	SCALE	REV
FOR INFORMATION ONLY NOT FOR MANUFACTURING PURPOSES			N/A	0.291 Kg	1:2	B